

**ARIAL**  
**APRIL 2024**  
**PRICE**  
**LIST**

**Molteni & C**



Prices quoted in Euro.  
VAT, IVA, MOMS, MwSt, BTW, TVA and any value added taxes not included.  
Designing, transport and assembly not included.  
Molteni&C Spa reserves the right to makes changes to its products, sizes  
and materials at any time and without prior notice.

**Molteni & C**



# TABLE OF CONTENTS

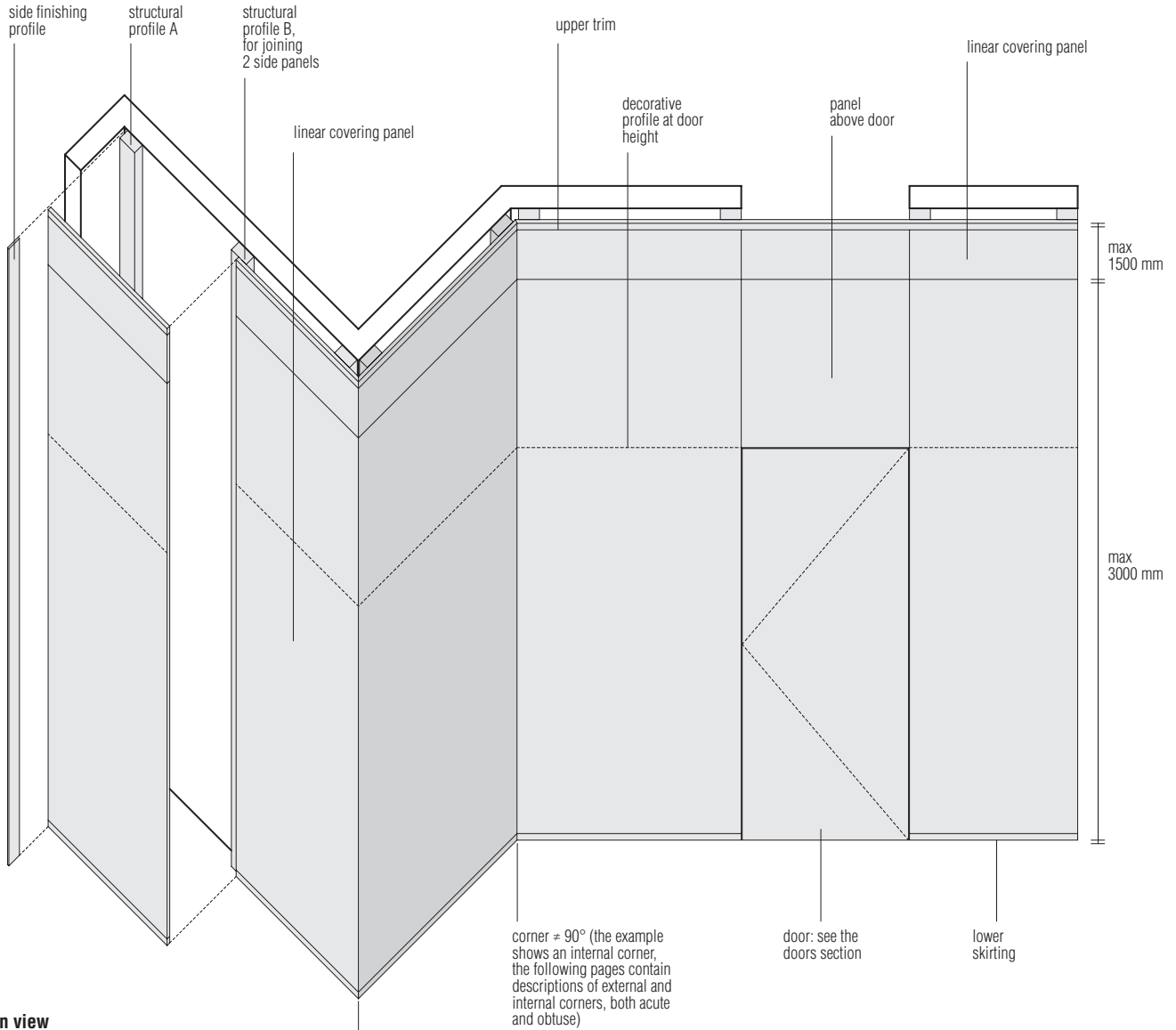
<b>PANELLING</b>	TECHNICAL INTRODUCTION	2
	MEASUREMENT METHODS	10
	VERTICAL PROFILES	12
	COVERING PANELS	13
	SUPPLEMENTARY CHARGES FOR CORNERS	15
	SUPPLEMENTARY CHARGE FOR PREPARATION COVERING PANELS	17
	COVERS FOR NICHEs AND PILLARS	20
	<b>DOORS</b>	
	TECHNICAL INTRODUCTION	25
	CASING AND JAMB PROFILES	32
	DOOR WITH INVISIBLE HINGE	33
	DOOR WITH RECESSED SIDE HINGE	34
	PIVOT DOOR	35
	DOOR HEADER	36
	ACCESSORIES	37
<b>FINISHES</b>		38

# Arial

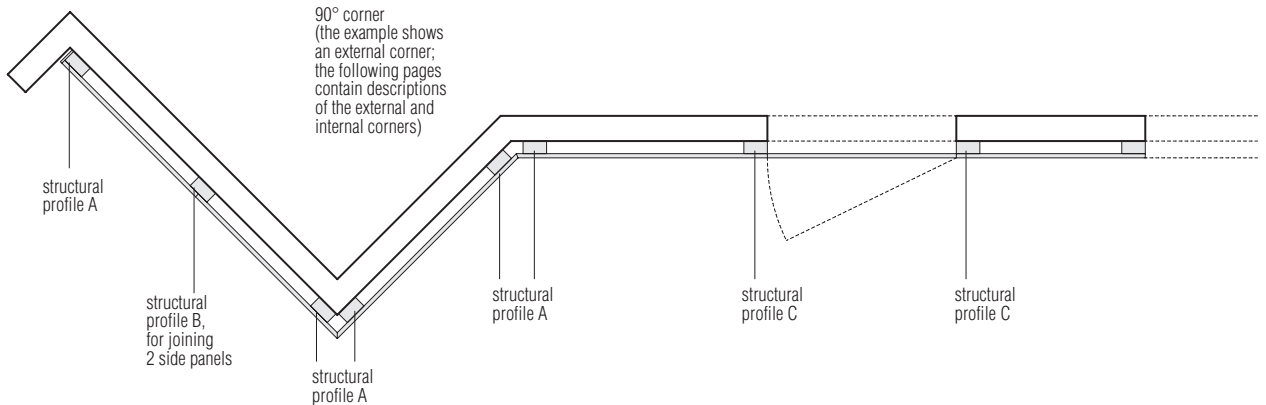
The Arial system consists mainly of vertical profiles for wall attachment fitted with covering panels available in different finishes and sizes. Combining the different panels allows for the development of customised solutions up to a maximum height of 4500 mm. The covering panels can be customised in width for any design requirement (panel size between 300 and 1200 mm). All designs will be assessed by the Molteni&C Technical Department for feasibility and will only be produced after receipt of the order confirmation signed by the customer.

Measuring, correct submission of the measurements and assembly are the customer's responsibility. Before assembly, check the suitability of the wall where the Arial system will be installed. Installers must ensure they use the correct type of mounting bolts or anchoring system for the wall.

## Axonometric view



## Plan view



## Finishes

The photos shown in this price list and the samples of finishes provided by Molteni&C as samples are merely indicative and may be subject to changes due light, environmental conditions, and aging.

In case of additional or replacement items, the same grain and shade cannot be guaranteed.

**Wood always has vertical grain.**

<b>finishes</b>	natural aluminium	pewter / iris	matt lacquer	wood	Blend fabric	glossy lacquer
-----------------	-------------------	---------------	--------------	------	--------------	----------------

## components

structural profile	●					
horizontal / vertical finishing profiles		●				
lower skirting / upper trim		●				
covering panels			●	●	●	
door	internal cover		●	●	●	●
	external cover		●	●	●	●

## colours

### Matt lacquers / Glossy lacquer

BC chalk white  
PE pearl  
DN dune  
PL platinum  
NE black  
AT anthracite  
SE mustard  
SI silica  
DO dolomite grey  
AL clay  
MK moka  
CZ light blue grey  
SA sand  
RU ruby  
PX pewter colour  
RX copper  
TO dove grey  
PR petroleum blue  
BG burgundy  
LS london sky  
SU stardust  
ML moonlight  
SP spice  
PG pine green  
AW almond white  
white (Molteni Kitchens)  
light grey (Molteni Kitchens)  
PB lead  
IX iris  
CP cappuccino

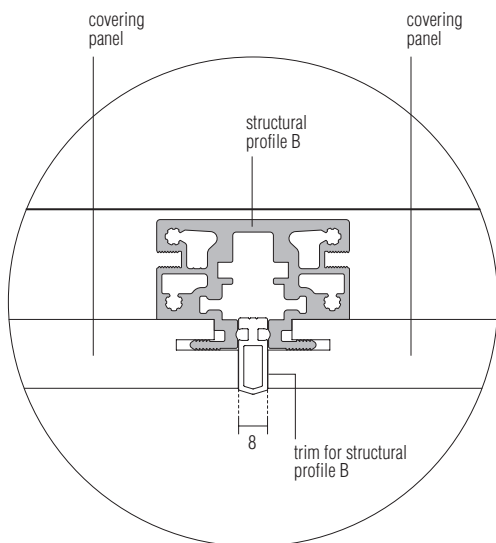
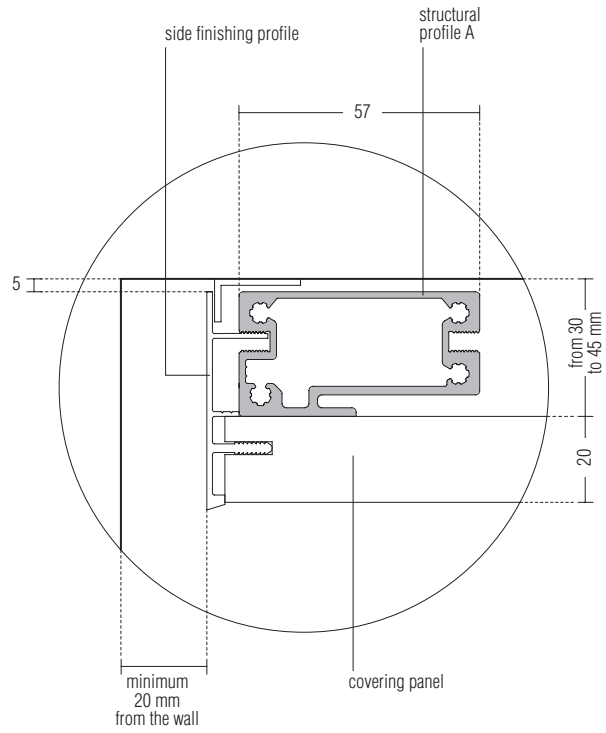
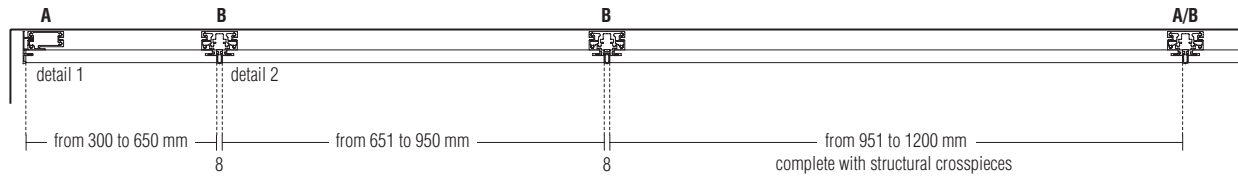
### Wood (always with vertical grain)

RF graphite oak  
RN black oak  
RC coffee oak  
RS sunrise oak

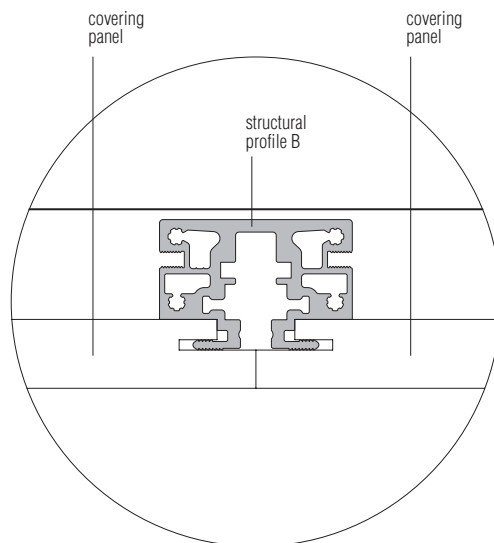
### Blend fabric

Vanilla  
Moss green  
Olive green  
Oxide orange  
Bark brown

## Panelling composition Linear solutions

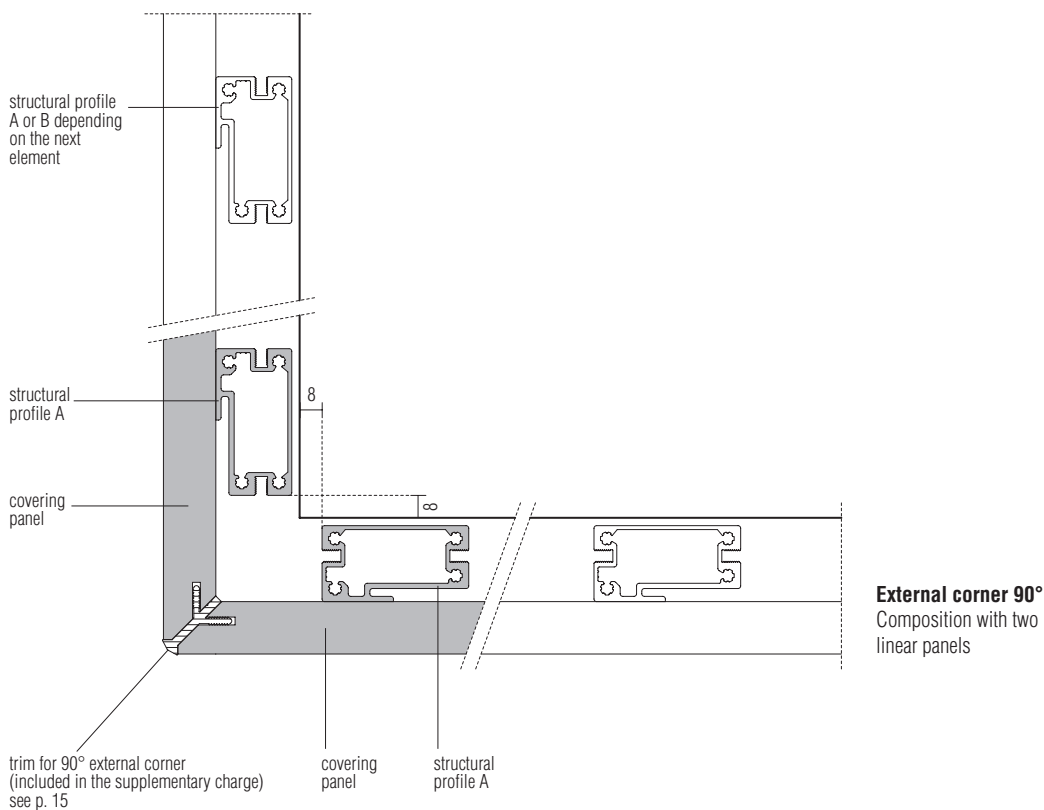
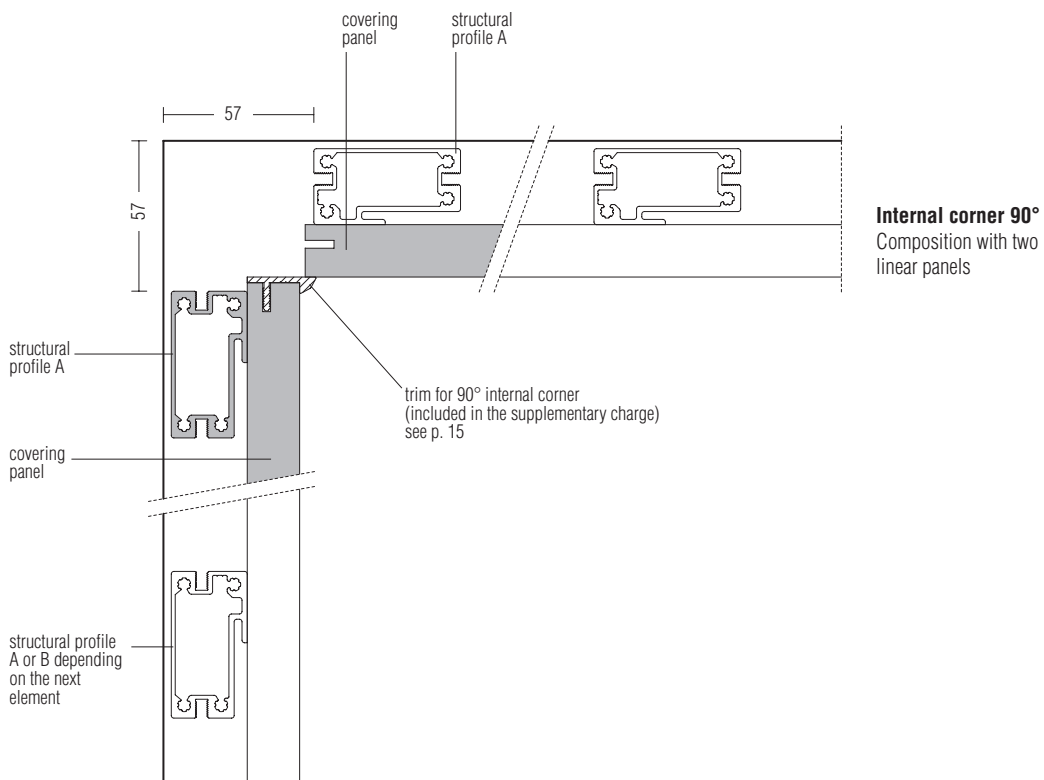


**Option 1:** with trim



**Option 2:** without trim  
the connection between the 2 panels will be visible



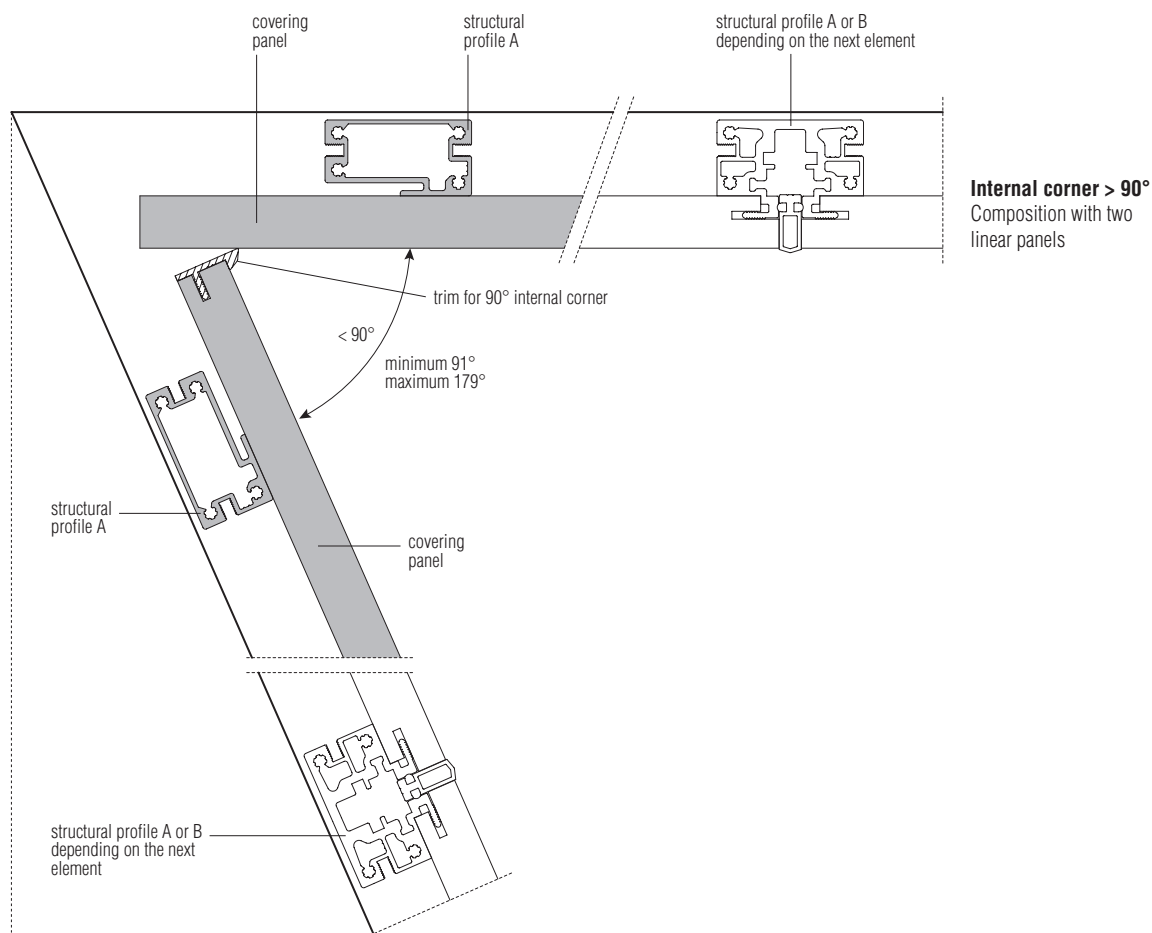
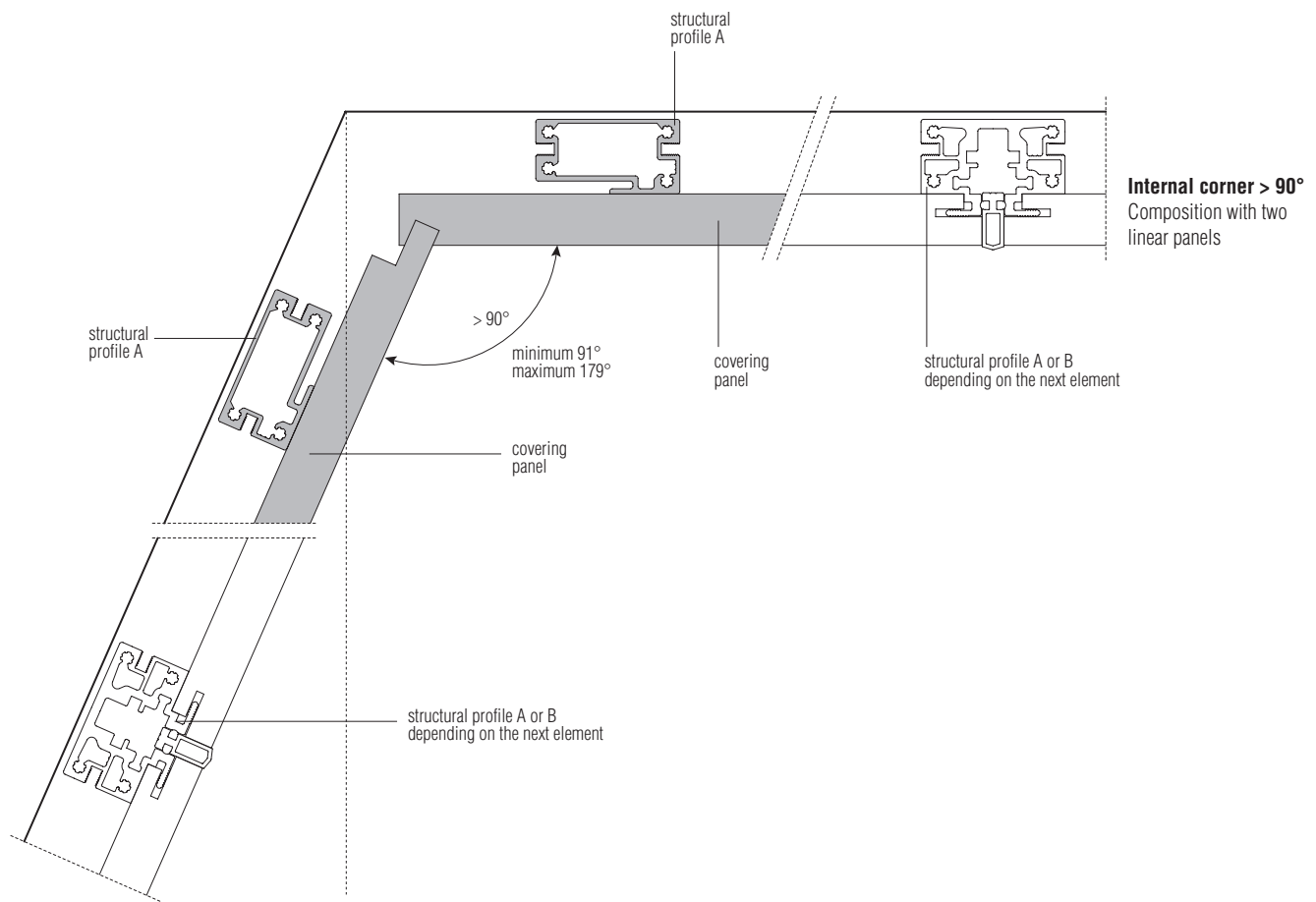


## Panelling composition Internal corner solutions

To calculate the price, see the supplementary charges p. 15/16.

## Notes

The construction of the corner solutions below cannot be modified.

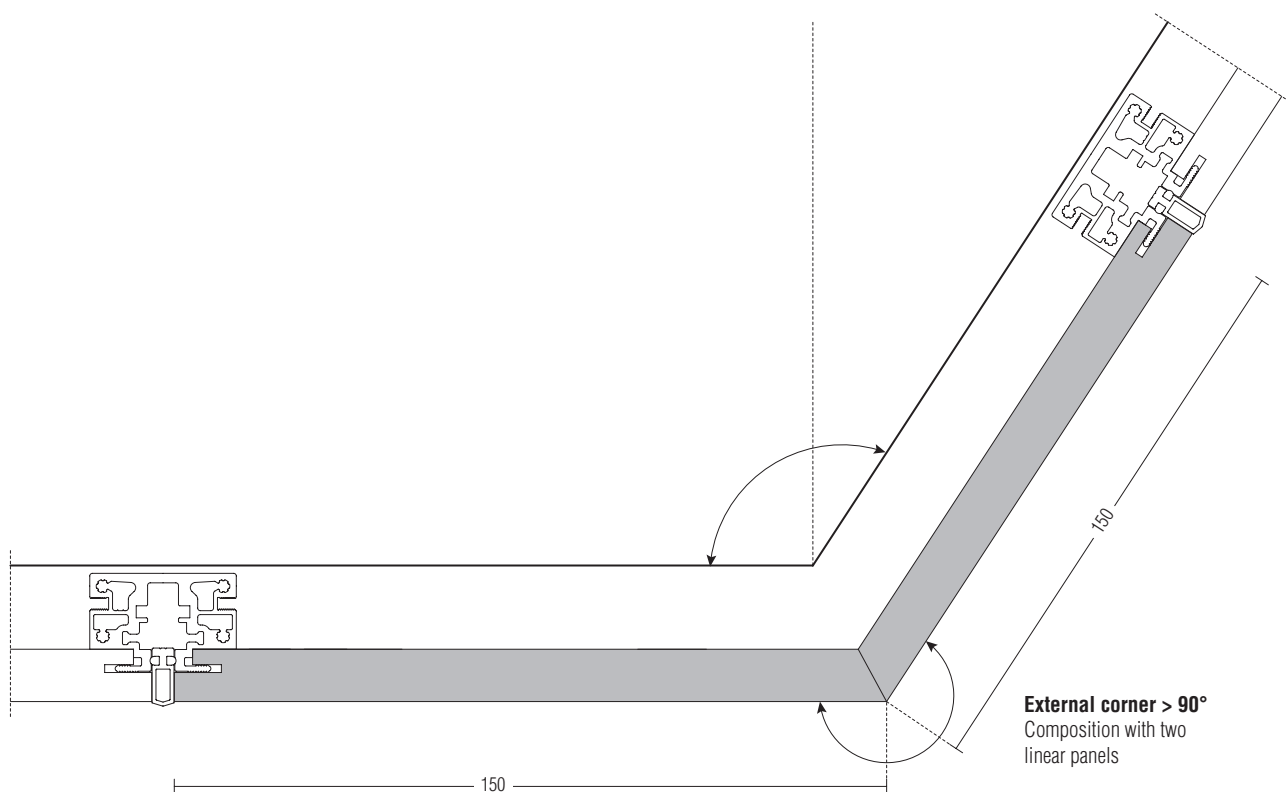
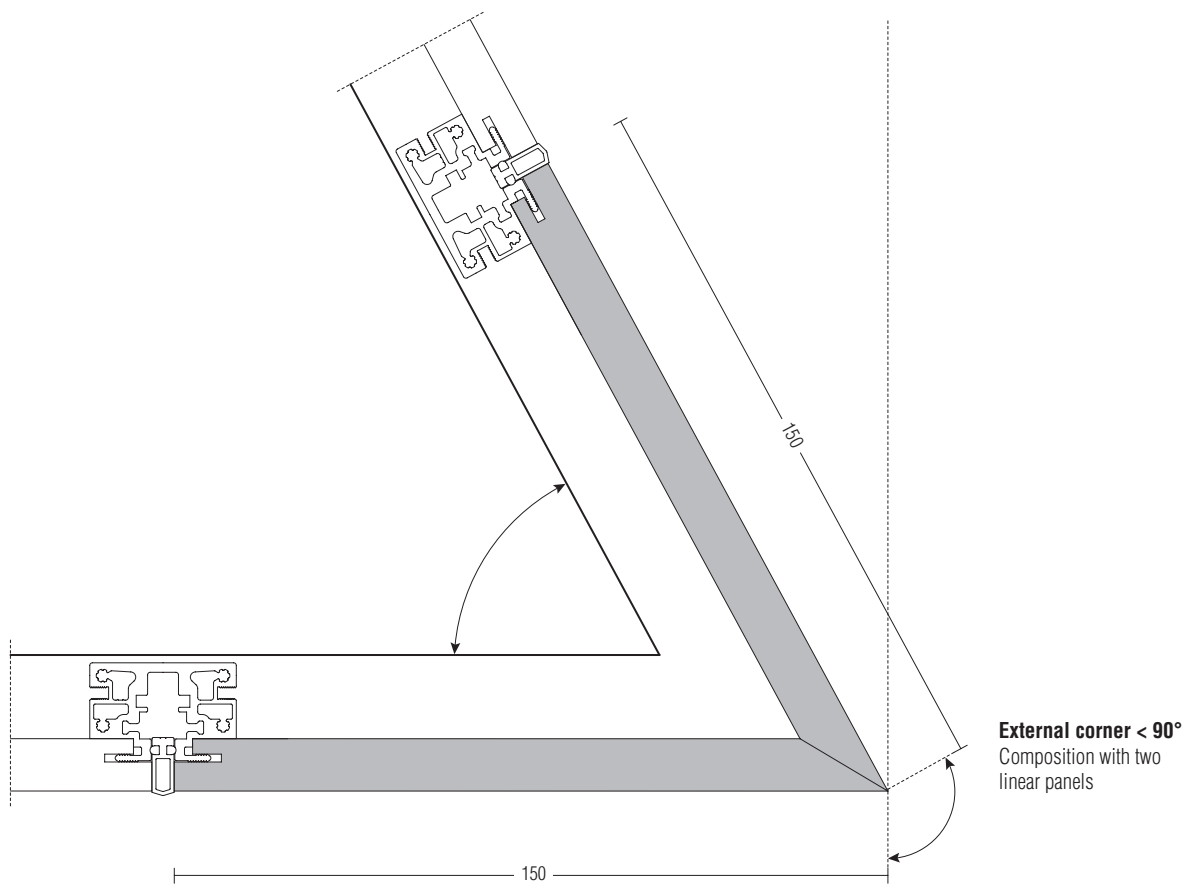


**Panelling composition**  
**External corner solutions**

When a  $\neq 90^\circ$  external corner must be covered, a pre-assembled W 150 mm x 150 mm module is supplied.

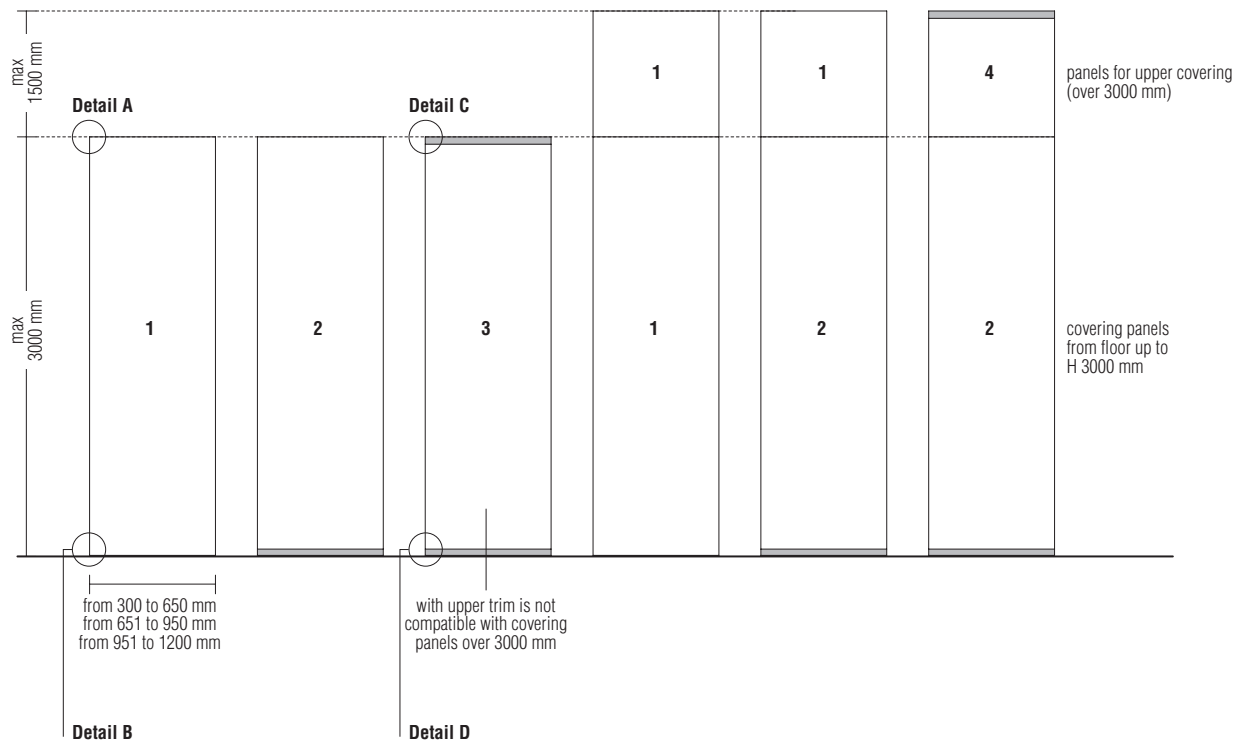
**Notes**

The construction of the corner solutions below cannot be modified.

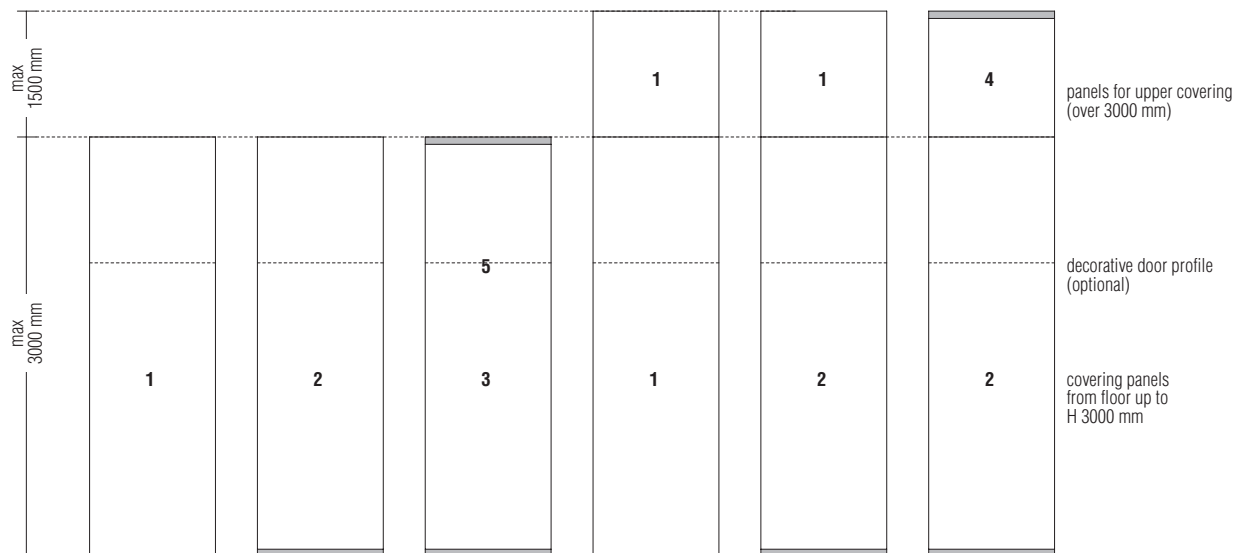


## Covering panels Possible configurations

Front view of covering panels without horizontal decorative profile



Front view of covering panels with horizontal decorative profile (always at top-of-door height)

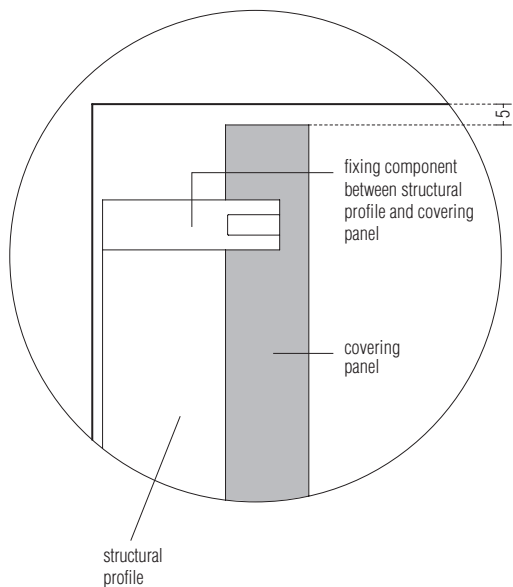


- 1 covering panels without skirting or trim
- 2 covering panels only with skirting
- 3 covering panels with skirting and trim
- 4 covering panel with trim
- 5 horizontal decorative profile

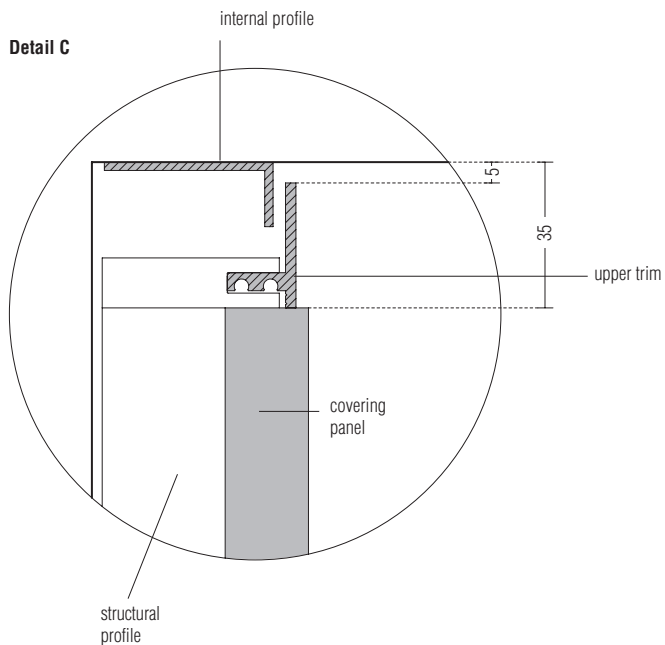
**Covering panels**  
Possible configurations

Vertical sections:  
Detail of the lower and upper parts of the covering panels.

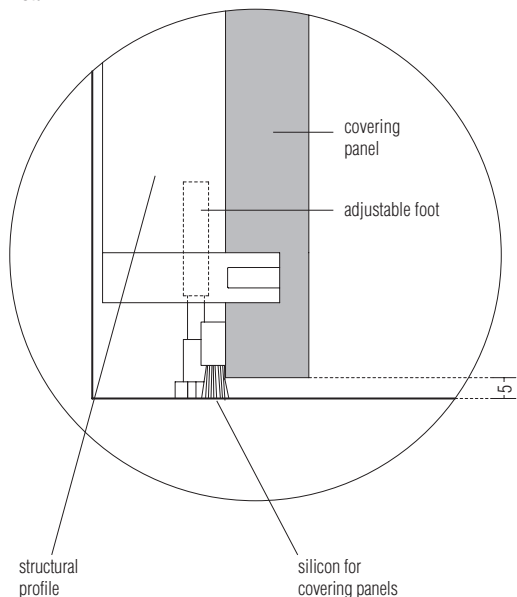
**Detail A**



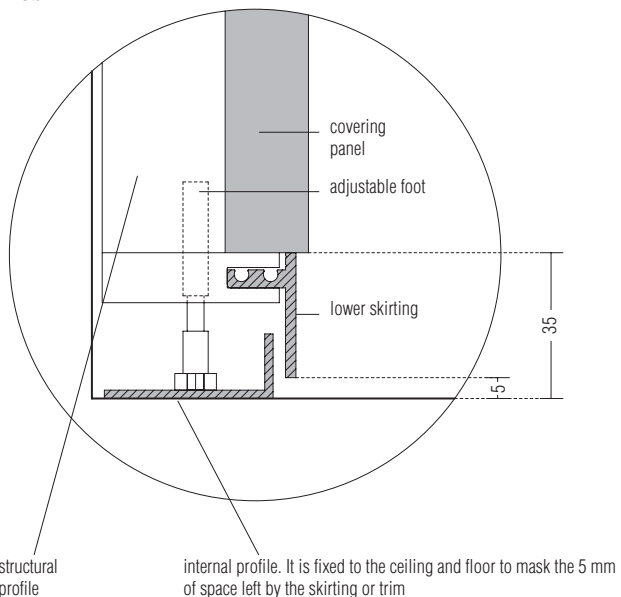
**Detail C**

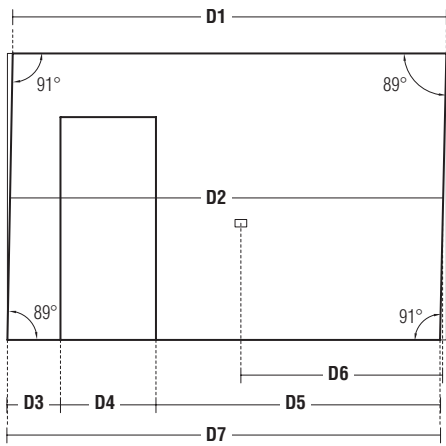


**Detail B**



**Detail D**

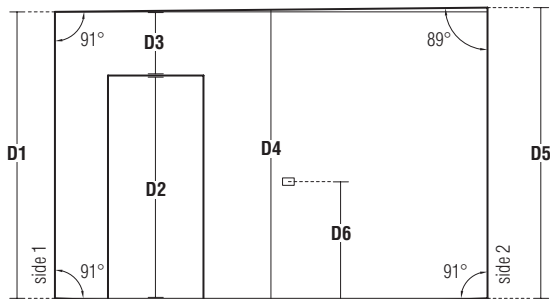
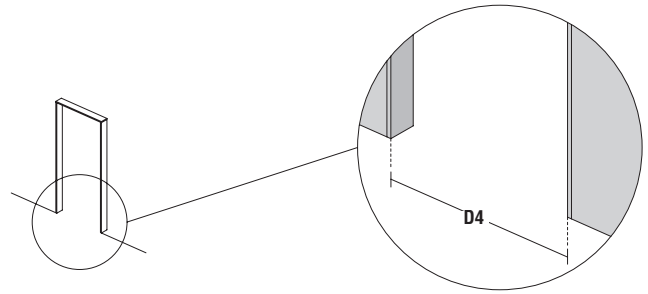




**Width measurements**

**D1 / 2 / 7:** it is necessary to measure the width of the wall near the ceiling (D1), in the middle (D2) and near the floor (D3) to guarantee the correct measurement of the wall.

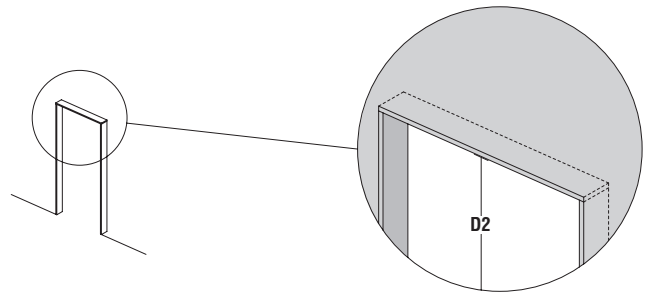
**D3 / 4 / 5:** take the partial measurements of the gaps in the wall. Measurement D4 must be taken from the false door frame.

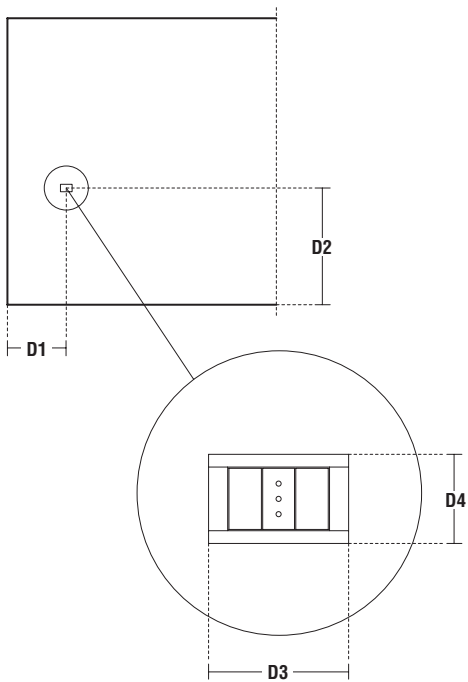


**Height measurements**

**D1 / 2 / 7:** It is necessary to measure the height of the room near sides 1 and 2 (D1 and D5), and in the centre of the wall (D2) to guarantee the correct measurement of the wall.

**D2 / 3:** take the partial measurements of the gaps in the wall. Measurement D2 must be taken from the false door frame.





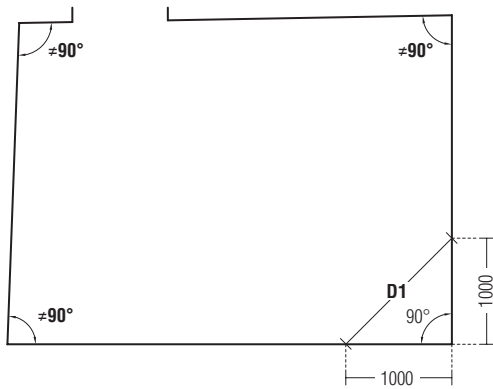
### Measuring electrical outlets

**D1:** distance between the electrical socket and a fixed point in the room

**D2:** distance between the electrical socket from the floor or ceiling

**D3:** width of the wall plate (or diameter)

**D4:** height of wall plate



### Floor measurements

the measurements must also include the floor of the room, especially if the panelling is installed on all the walls.

**D1:** angles can still be calculated without the use of a digital protractor. When the angle is exactly  $90^\circ$ , measurement D1 is equal to 1414 mm.

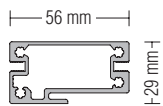
## Vertical profiles

Height reductions are included in the price.

### structural profile A

from the floor  
up to 3000

for upper covering  
over 3000 (max 1500)

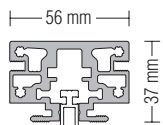


natural aluminium

**242**

**121**

### structural profile B



with trim



without trim

#### with trim in pewter or iris

from the floor  
up to 3000

for upper covering  
over 3000 (max 1500)

#### without trim

from the floor  
up to 3000

for upper covering  
over 3000 (max 1500)



natural aluminium

**404**

**205**

**320**

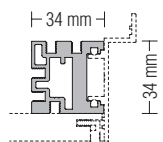
**160**

### structural profile C

for door jamb with  
finishing trim

from the floor  
up to 3000

for upper covering  
over 3000 (max 1500)



pewter / iris

**288**

**144**

### side finishing profile

in compositions over 3000 mm,  
the connection with the profile  
for upper coverings will be visible

from the floor  
up to 3000

for upper covering  
over 3000 (max 1500)



pewter / iris

**118**

**71**



### Th 20-mm covering panels

Custom reductions are included in the price.  
The horizontal decorative profile is only positioned at top-of-door height.

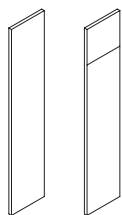
### Notes

With the fabric finish, we recommend using the version with lower skirting.

#### covering panels

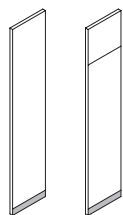
from W 300 to 650  
H up to 3000  
th 20 mm

without skirting or trim



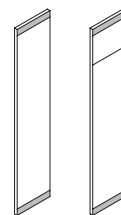
with decorative profile

only with lower skirting



with decorative profile

with skirting and trim



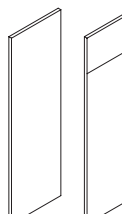
with decorative profile

matt lacquer	<b>393</b>	<b>505</b>	<b>435</b>	<b>547</b>	<b>477</b>	<b>589</b>
wood (vertical grain)	<b>694</b>	<b>813</b>	<b>736</b>	<b>855</b>	<b>778</b>	<b>897</b>
fabric	<b>595</b>	<b>706</b>	<b>637</b>	<b>748</b>	<b>679</b>	<b>790</b>

#### covering panels

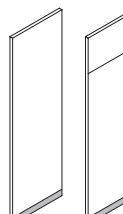
from W 651 to 950  
H up to 3000  
th 20 mm

without skirting or trim



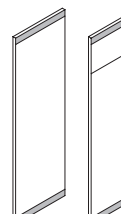
with decorative profile

only with lower skirting



with decorative profile

with skirting and trim



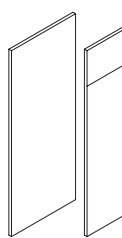
with decorative profile

matt lacquer	<b>529</b>	<b>669</b>	<b>588</b>	<b>728</b>	<b>647</b>	<b>787</b>
wood (vertical grain)	<b>968</b>	<b>1.117</b>	<b>1.027</b>	<b>1.176</b>	<b>1.086</b>	<b>1.235</b>
fabric	<b>921</b>	<b>1.062</b>	<b>980</b>	<b>1.121</b>	<b>1.039</b>	<b>1.180</b>

#### covering panels

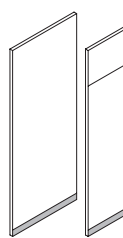
from W 951 to 1200  
H up to 3000  
th 20 mm

without skirting or trim



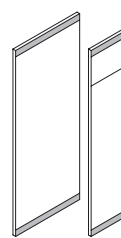
with decorative profile

only with lower skirting



with decorative profile

with skirting and trim



with decorative profile

matt lacquer	<b>720</b>	<b>879</b>	<b>798</b>	<b>957</b>	<b>876</b>	<b>1.035</b>
wood (vertical grain)	<b>1.297</b>	<b>1.468</b>	<b>1.375</b>	<b>1.546</b>	<b>1.453</b>	<b>1.624</b>
fabric	<b>1.135</b>	<b>1.292</b>	<b>1.213</b>	<b>1.370</b>	<b>1.291</b>	<b>1.448</b>

## Th 20-mm covering panels

Custom reductions are included in the price.

### upper covering panels

from W 300 to 650  
H from 150 to 1500  
th 20 mm

without trim



with trim

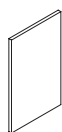


matt lacquer	<b>294</b>	<b>336</b>
wood (vertical grain)	<b>448</b>	<b>490</b>
fabric	<b>395</b>	<b>437</b>

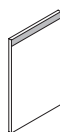
### upper covering panels

from W 651 to 950  
H from 150 to 1500  
th 20 mm

without trim



with trim

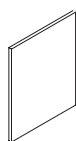


matt lacquer	<b>381</b>	<b>440</b>
wood (vertical grain)	<b>605</b>	<b>664</b>
fabric	<b>578</b>	<b>637</b>

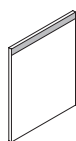
### upper covering panels

from W 951 to 1200  
H from 150 to 1500  
th 20 mm

without trim



with trim



matt lacquer	<b>486</b>	<b>564</b>
wood (vertical grain)	<b>780</b>	<b>858</b>
fabric	<b>692</b>	<b>770</b>

**Notes**

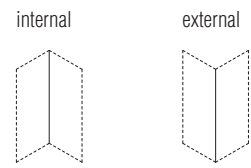
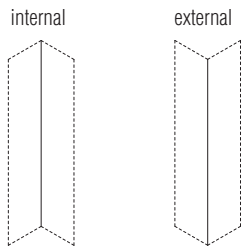
See construction details on pages 5/6/7.

**supplementary charge for application of internal/external 90° corner element**

from the floor up to 3000

for upper covering over 3000 (max 1500)

to calculate the price of corner compositions, use the prices of the standard panels and structural profiles, adding the supplementary charges shown here



**98                      182**

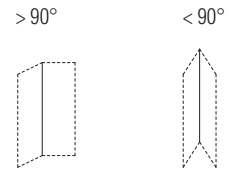
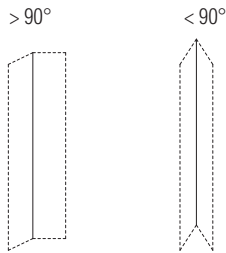
**54                      127**

**supplementary charge for making INTERNAL corner ≠ 90**

from the floor up to 3000

for upper covering over 3000 (max 1500)

to calculate the price of corner compositions, use the prices of the standard panels and structural profiles, adding the supplementary charges shown here



**182                      98**

**127                      54**

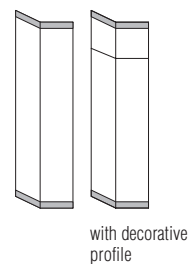
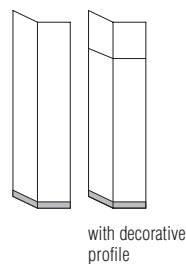
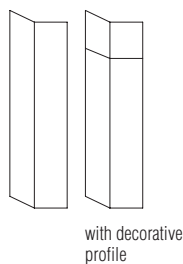
**EXTERNAL corner element > 90° (comes assembled)**

without skirting or trim

only with lower skirting

with skirting and trim

H up to 3000  
excluding price of structural profiles



matt lacquer	<b>499</b>	<b>807</b>	<b>541</b>	<b>849</b>	<b>583</b>	<b>891</b>
wood (vertical grain)	<b>641</b>	<b>928</b>	<b>683</b>	<b>970</b>	<b>725</b>	<b>1.012</b>
fabric	<b>622</b>	<b>822</b>	<b>664</b>	<b>864</b>	<b>706</b>	<b>906</b>

**Notes**

See construction details on pages 5/6/7.

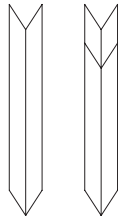
**EXTERNAL corner element < 90°  
(comes assembled)**

H up to 3000  
excluding price of structural profiles

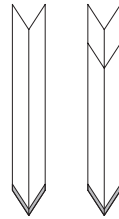
without skirting or trim

only with lower skirting

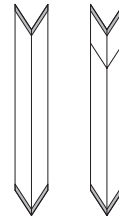
with skirting and trim



with decorative profile



with decorative profile



with decorative profile

matt lacquer	<b>499</b>	<b>807</b>	<b>541</b>	<b>849</b>	<b>583</b>	<b>891</b>
wood (vertical grain)	<b>641</b>	<b>928</b>	<b>683</b>	<b>970</b>	<b>725</b>	<b>1.012</b>
fabric	<b>622</b>	<b>822</b>	<b>664</b>	<b>864</b>	<b>706</b>	<b>906</b>

**EXTERNAL corner element > 90°  
(comes assembled)**

for upper covering over 3000 (max 1500)  
excluding price of structural profiles

without trim

with trim



matt lacquer	<b>413</b>	<b>455</b>
wood (vertical grain)	<b>476</b>	<b>518</b>
fabric	<b>423</b>	<b>465</b>

**EXTERNAL corner element < 90°  
(comes assembled)**

for upper covering over 3000 (max 1500)  
excluding price of structural profiles

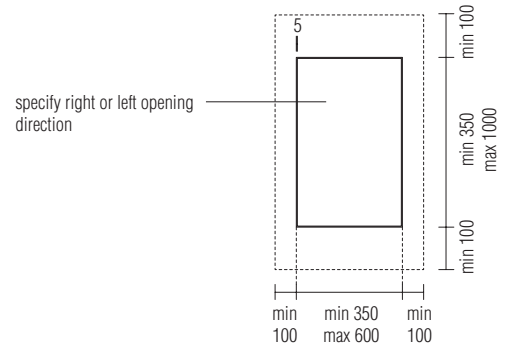
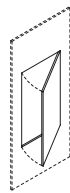
without trim

with trim



matt lacquer	<b>413</b>	<b>455</b>
wood (vertical grain)	<b>476</b>	<b>518</b>
fabric	<b>423</b>	<b>465</b>

**supplementary charge for application of door with push-pull opening for compartment inspection**



matt lacquer	<b>450</b>
wood (vertical grain)	<b>556</b>
fabric	<b>860</b>

**supplementary charge for holes**

max Ø 120 mm

subject to verification of the position by the Molteni&C Technical Office



matt lacquer	<b>40</b>
wood (vertical grain)	<b>40</b>
fabric	<b>40</b>

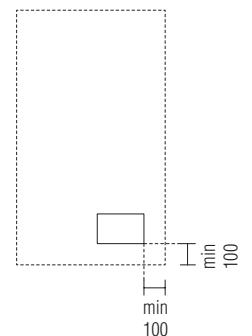
**supplementary charge for electric outlet hole**

the price includes the wall plate with 3 or 4 devices.  
Please indicate hole centre position when ordering and number of elements required.  
No internal border.  
Dimensions of the wall plate supplied:  
- 3 devices W 110 x D 50 x H 72 mm  
- 4 devices W 134 x D 50 x H 72 mm

3 devices



4 devices



matt lacquer	<b>50</b>	<b>50</b>
wood (vertical grain)	<b>50</b>	<b>50</b>
fabric	<b>50</b>	<b>50</b>

# Arial

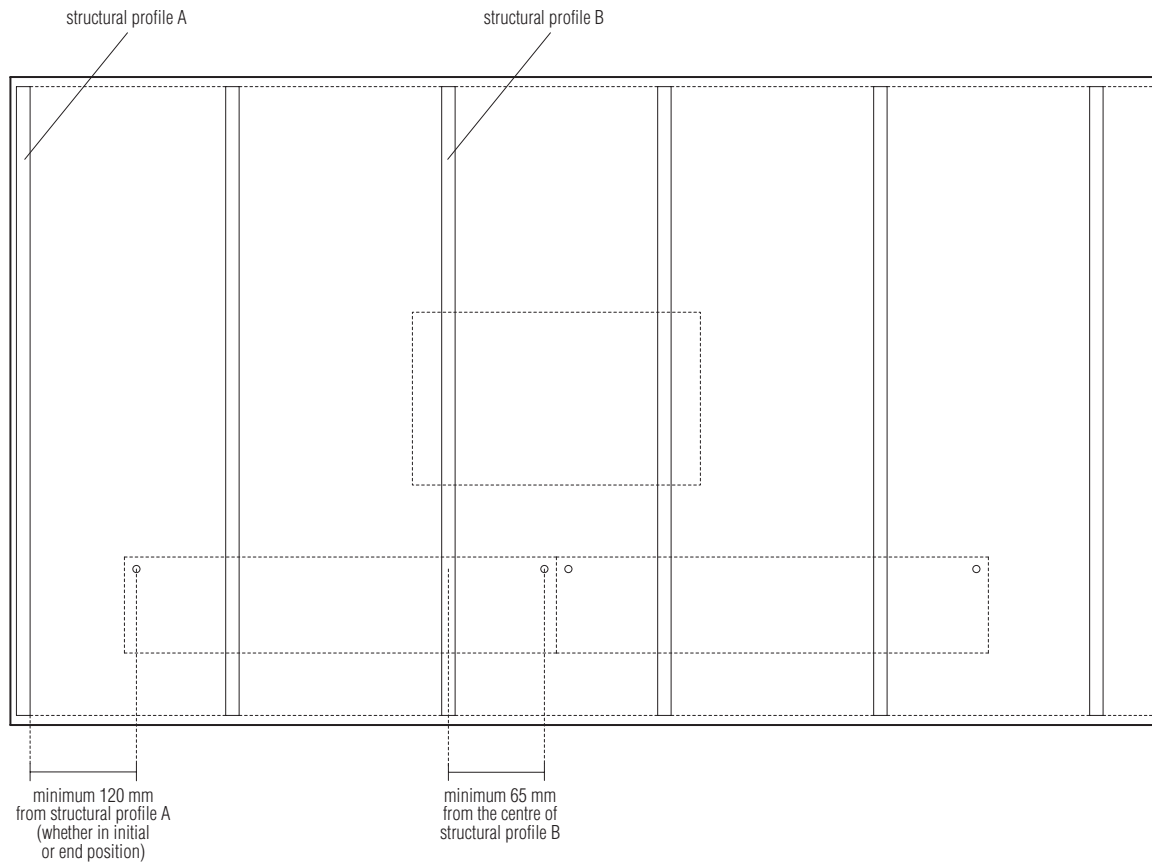
## Fixing suspended units

Predisposition for wall installation is prepared only for Molteni&C products, subject to verification and approval from the Technical Office.

The supplementary charge refers to the individual connection and includes a study of the positioning.

## Notes

It is the customer's responsibility to check the suitability of the wall on which the furniture will be hung.



## supplementary charge for single mount

(hardware supplied)

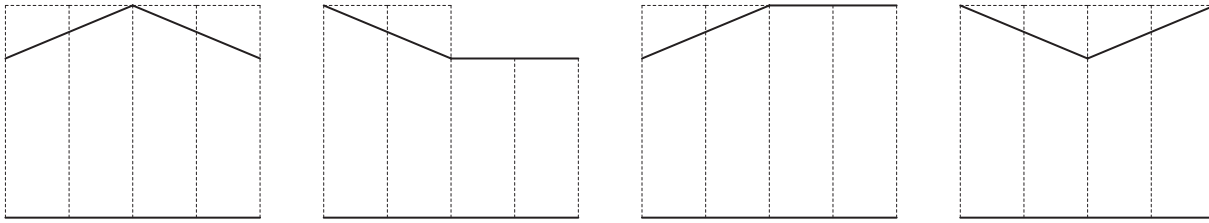


matt lacquer	70
wood (vertical grain)	70
fabric	70

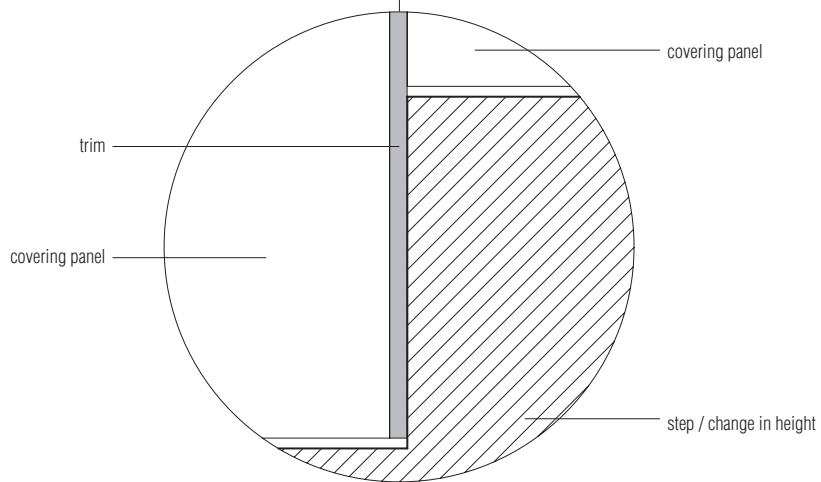
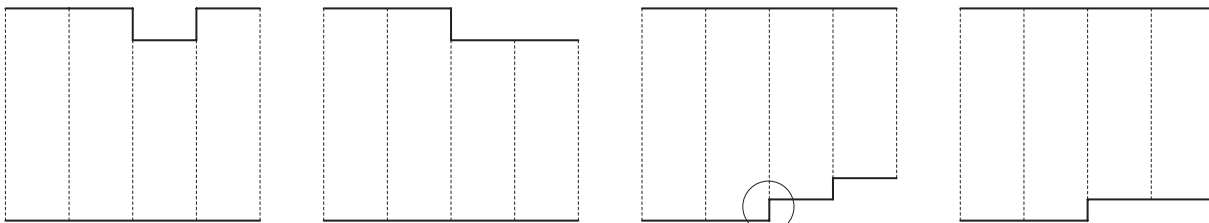
**Shaping covering panels**

Installation feasibility must be assessed on a case-by-case basis.  
The upper trim cannot be added to covering panels.

**Possible configurations**



In the cases shown below, it is not necessary to shape the panels.  
Where there is a change in height, the trim is installed on the tallest part.



**supplementary charge for angled cutting**

the supplementary charge includes feasibility assessment



matt lacquer	200
wood (vertical grain)	200
fabric	200

## Covering for niches / pillars and windows

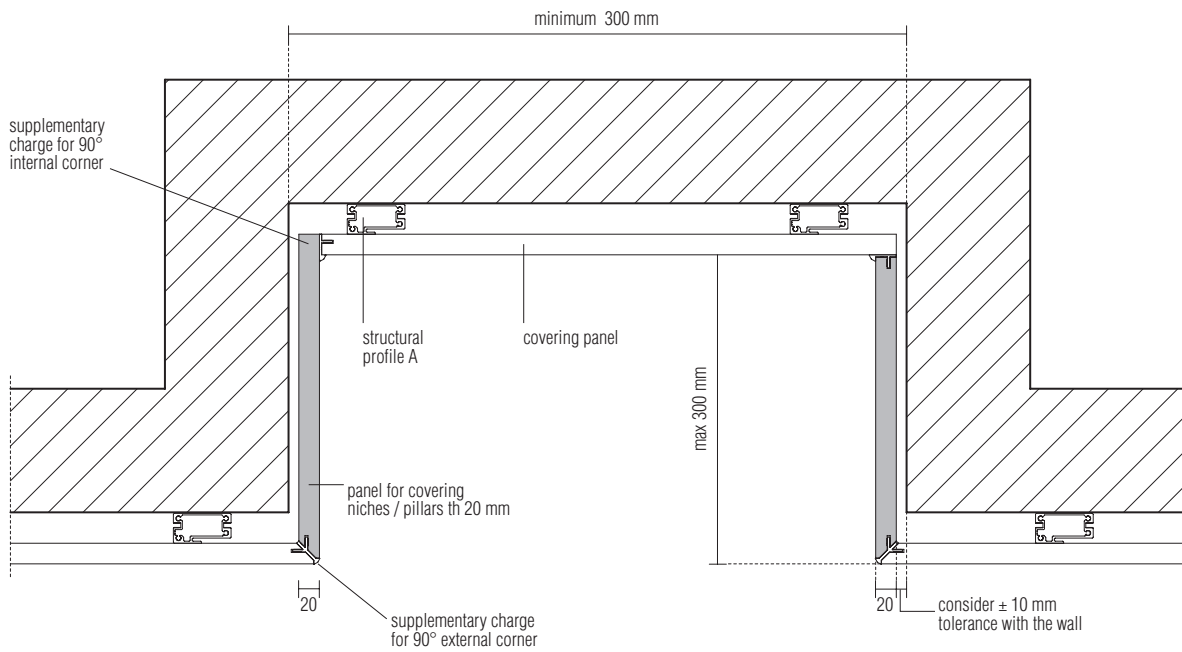
Solutions are always made with 90° angles.

Minimum width of niche or pillar = 300 mm. Below 300 mm, request technical feasibility.

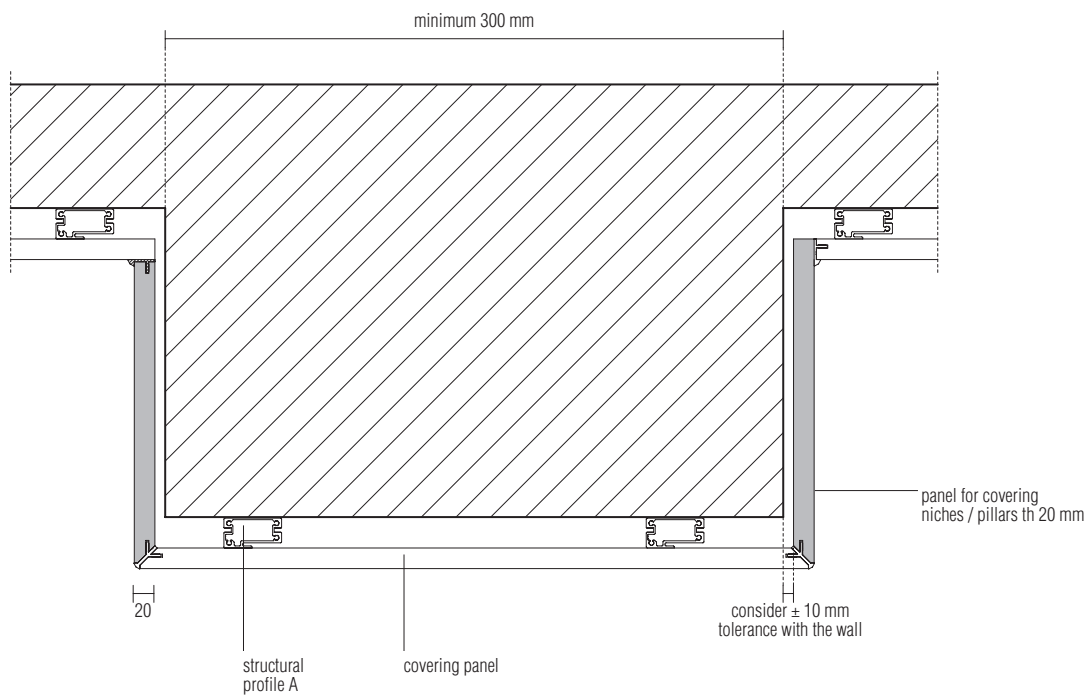
## Niches without trim

Always without skirting or upper trim.

### Niche with trim



### Pillar covering





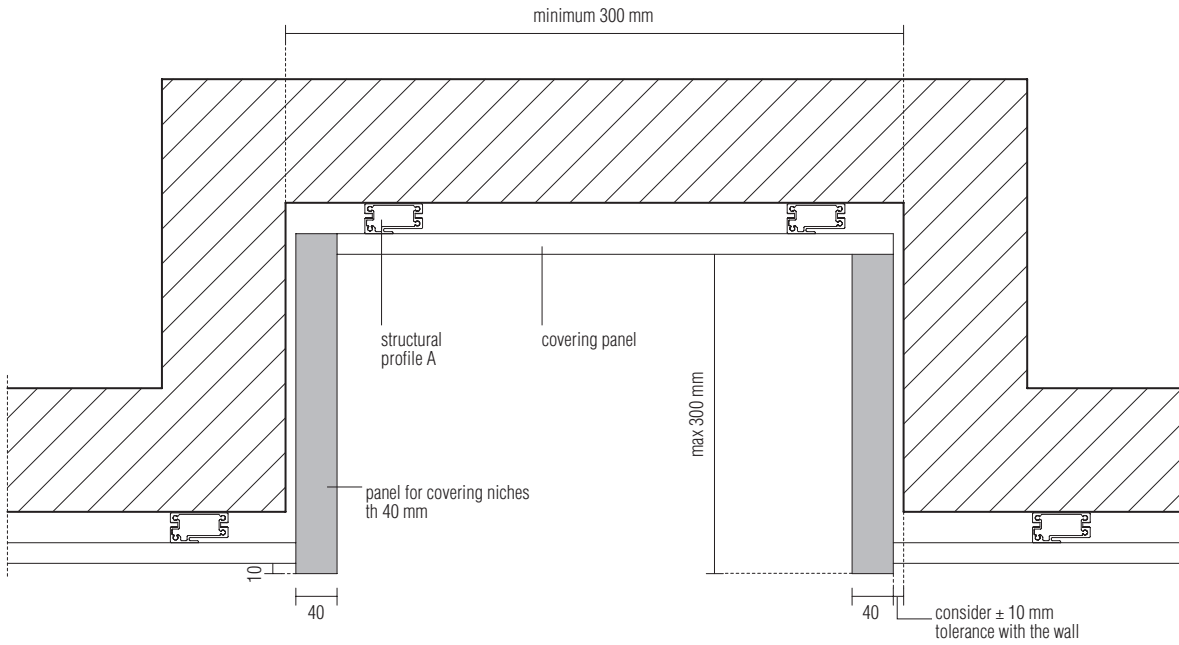
**Covering for niches / pillars and windows**

Solutions are always made with 90° angles.  
Minimum width of niche or pillar = 300 mm. Below 300 mm, request technical feasibility.

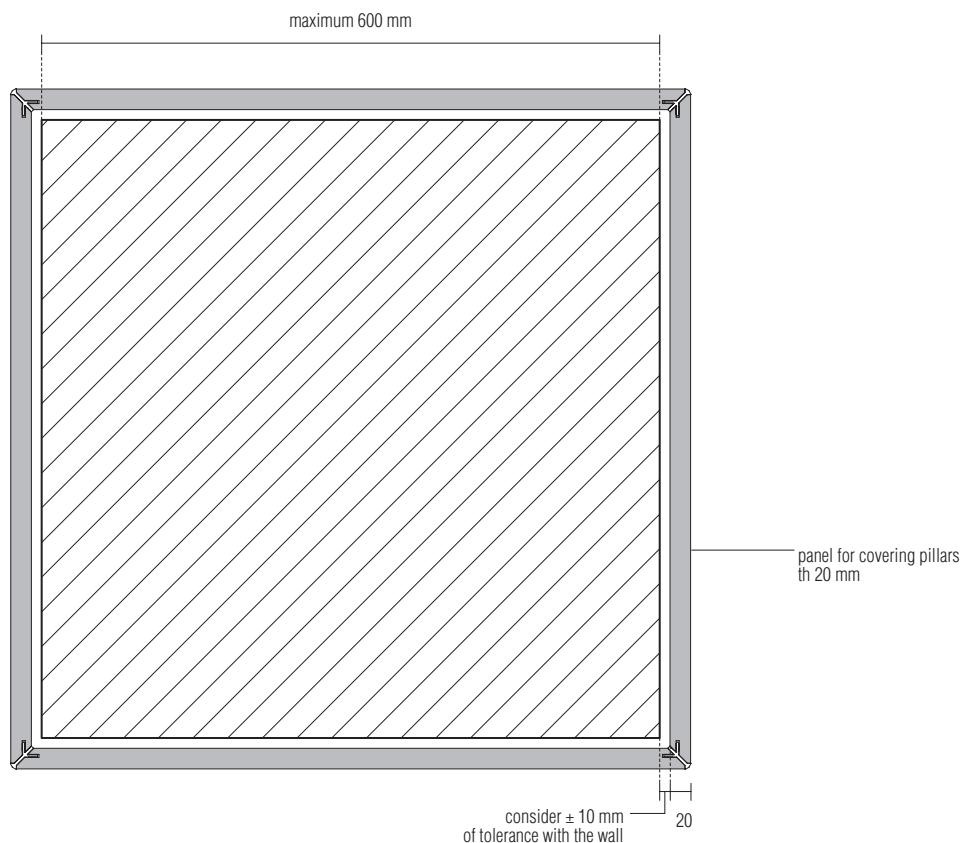
**Pillar covering**

Comes disassembled, always with trim.  
It is not necessary to calculate structural profiles; the panels are supplied complete with hardware for fixing and height/depth adjustment.  
Maximum pillar size W 600 mm x 600 mm; for larger sizes use covering panels with structural profiles.

**Niche without trim**



**Pillar covering**



## Covering for niches / pillars and windows

### covering panels for niche/window without trim

H up to 3000  
W max 300

for coverings  
over H 3000 (max 1500)  
W max 300

th 40 mm  
D max 300



matt lacquer  
wood (vertical grain)  
fabric

<b>547</b>	<b>317</b>
<b>726</b>	<b>409</b>
<b>642</b>	<b>365</b>

### covering panels for niche / pillars with trim

without skirting or trim  
W max 300

th 20 mm  
H up to 3000

add supplementary charge  
for the individual niche panel



with decorative  
profile

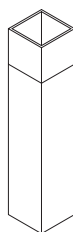
matt lacquer  
wood (vertical grain)  
fabric  
supplementary charge for 90° corner (internal + external)

<b>461</b>	<b>581</b>
<b>626</b>	<b>749</b>
<b>614</b>	<b>734</b>
<b>280</b>	<b>280</b>

### covering panels for pillars

without skirting or trim

th 40 mm  
WxW max 600  
H up to 3000  
comes disassembled  
complete with trim



with decorative  
profile

matt lacquer  
wood (vertical grain)  
fabric

<b>2.300</b>	<b>2.748</b>
<b>3.504</b>	<b>3.980</b>
<b>3.108</b>	<b>3.552</b>

## Covering panels

---

### covering panels for niche / pillars with trim

without trim  
W max 300

th 20 mm  
H up to 1500

add supplementary charge  
for the individual niche panel



---

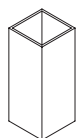
matt lacquer	<b>331</b>
wood (vertical grain)	<b>414</b>
fabric	<b>407</b>
supplementary charge for 90° corner (internal + external)	<b>181</b>

---

### covering panels for pillars

without trim

th 20 mm  
WxW max 600  
H up to 1500  
comes disassembled  
complete with trim



---

matt lacquer	<b>1.684</b>
wood (vertical grain)	<b>2.300</b>
fabric	<b>2.088</b>

---

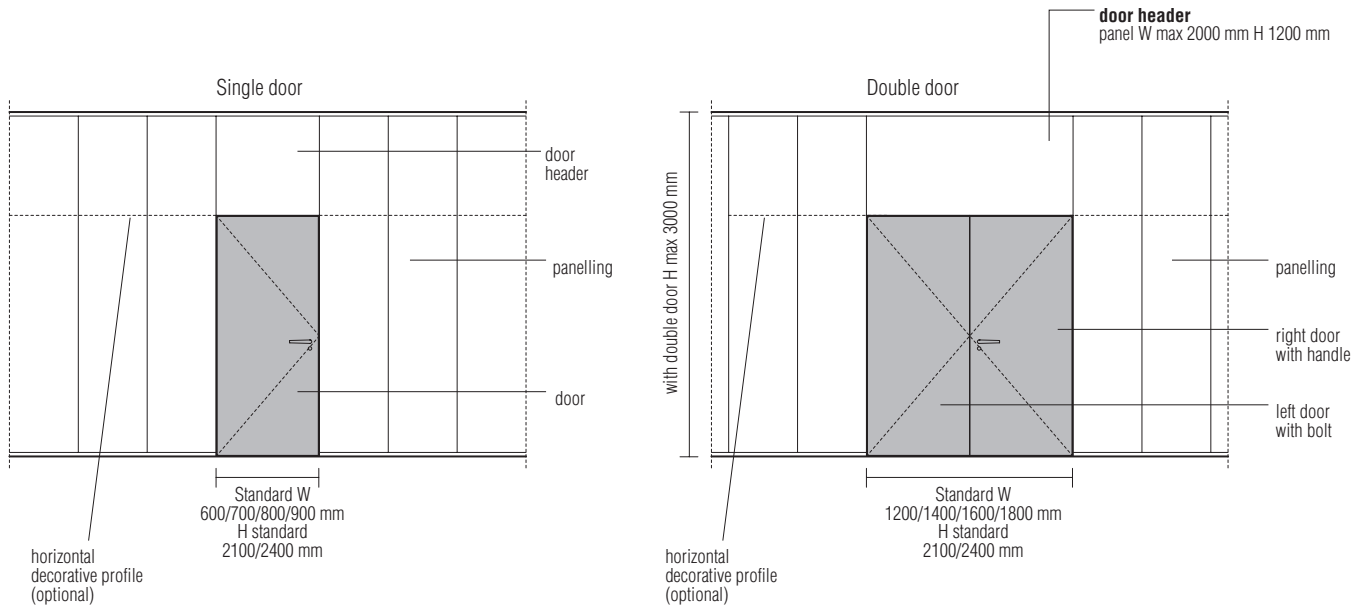


## Doors for panelling

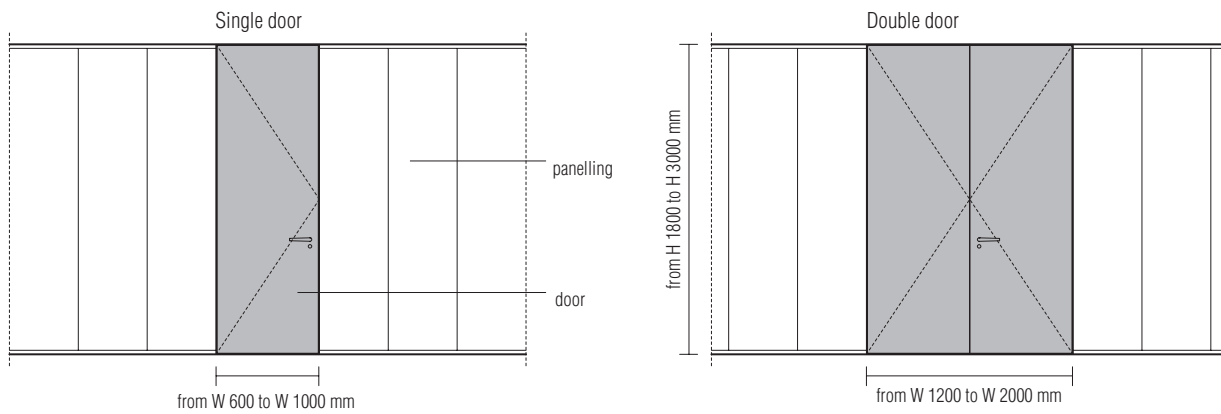
## Notes

For the double door, the handle is installed on the right-hand door.  
On request (without no extra charge) the handle can be supplied on the left-hand door.

## Standard sizes



## Nonstandard sizes



## Doors for panelling

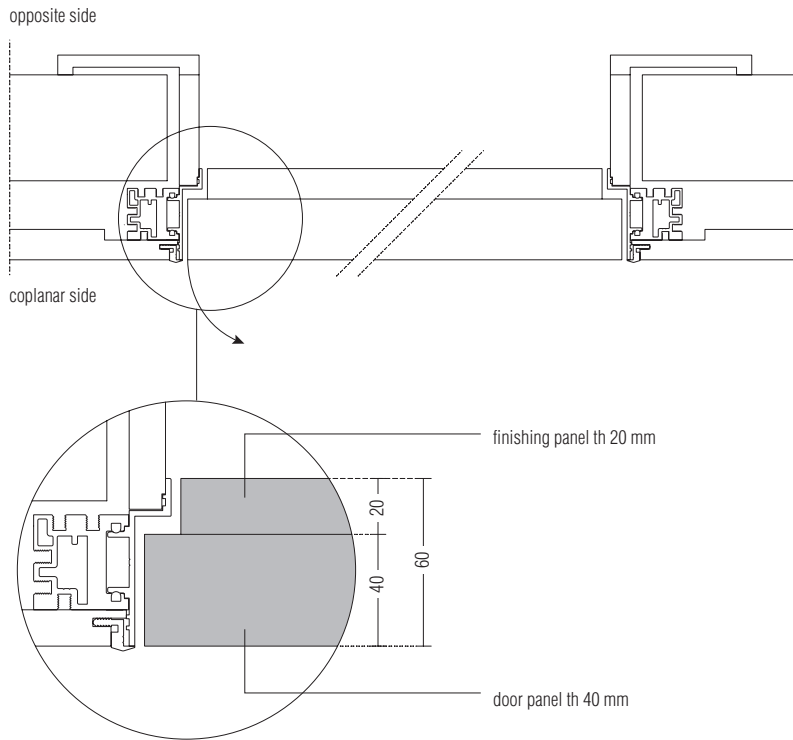
### Push or pull opening with invisible or recessed side hinge

The door opening direction is always indicated with respect to the coplanar side, i.e. the side where the door is aligned with the wall (panelling).

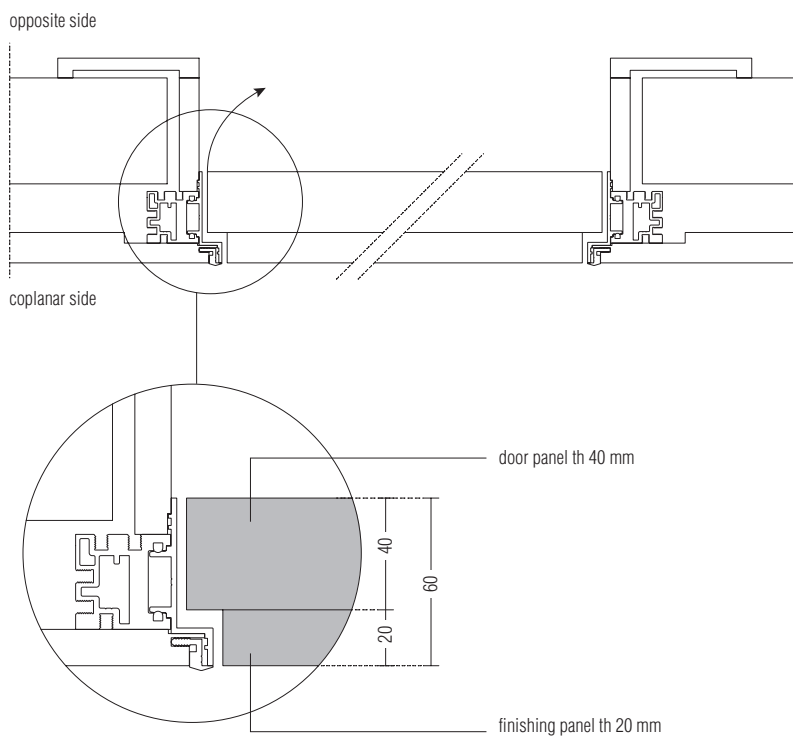
### Right or left opening direction

The opening direction is defined by the position of the hinges, always with reference to the coplanar side. The hinges are usually located on the side opposite the switch.

## Right-side pull door

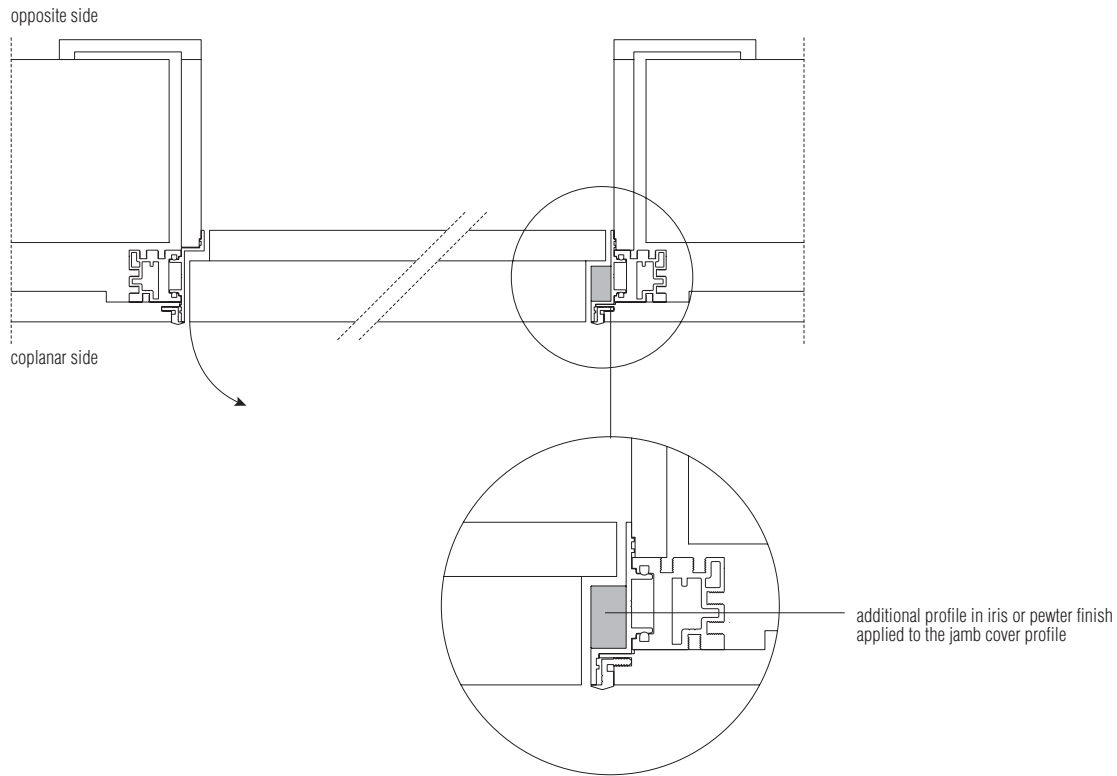


## Right-side push door

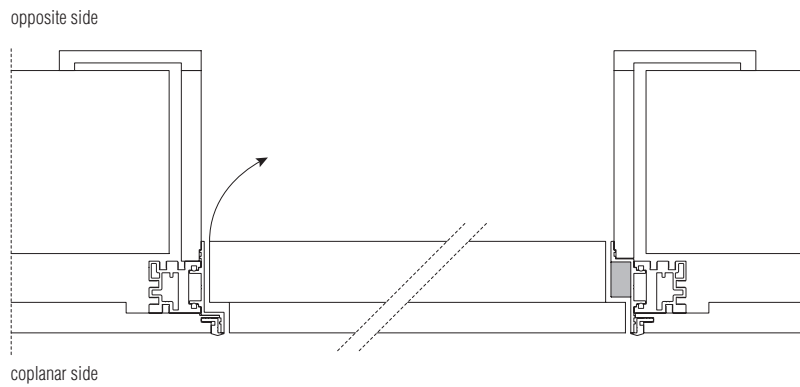


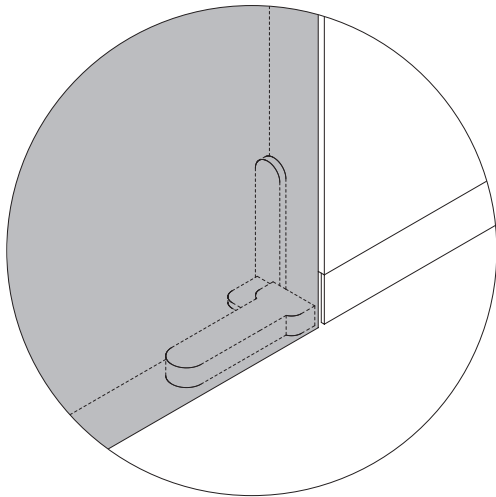
**Doors for panelling**  
**Push or pull opening with pivot hinge**

**Right-side pull door**

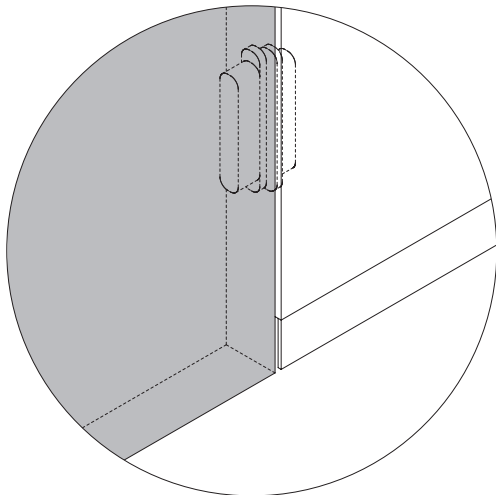
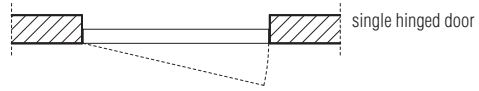


**Right-side push door**

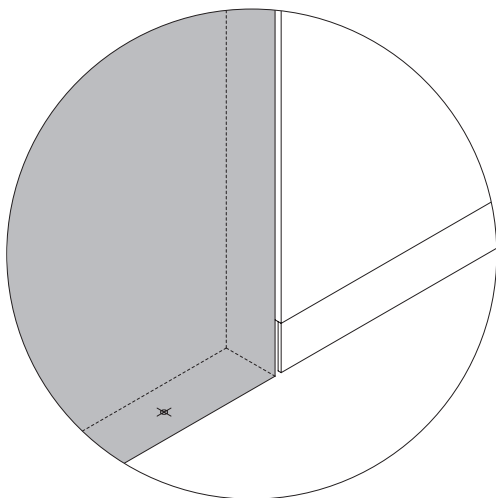
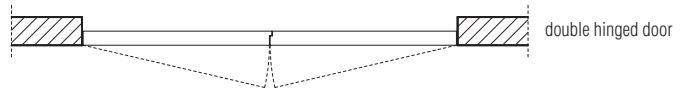
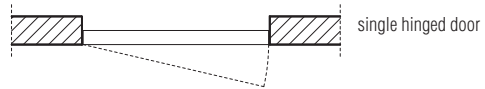




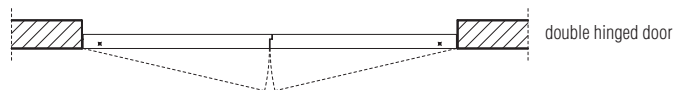
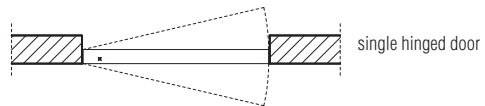
### Invisible hinge



### Side recessed hinge



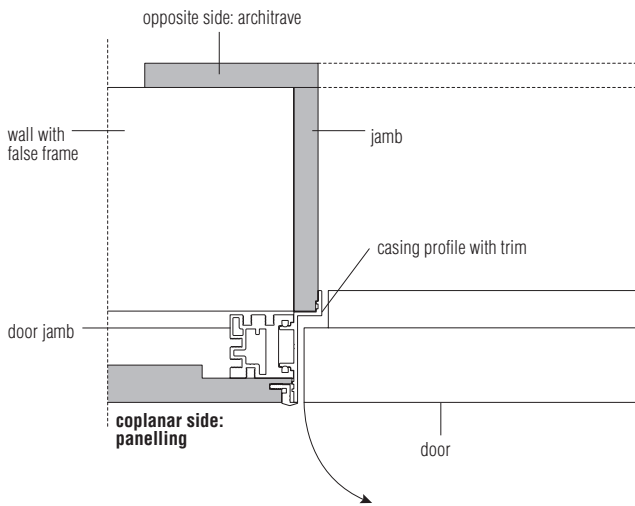
### Pivot hinge (pivot door)



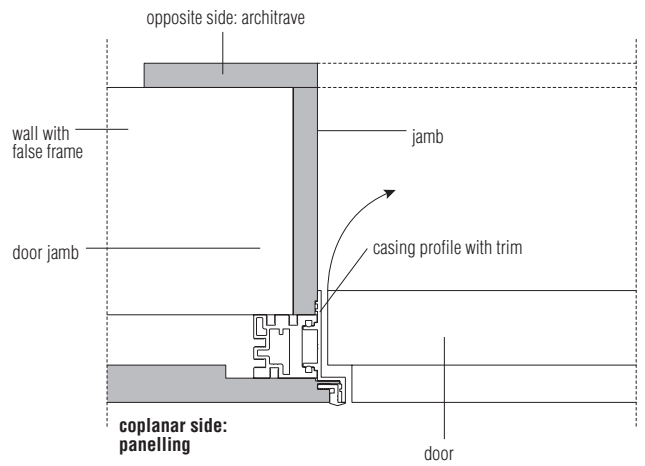




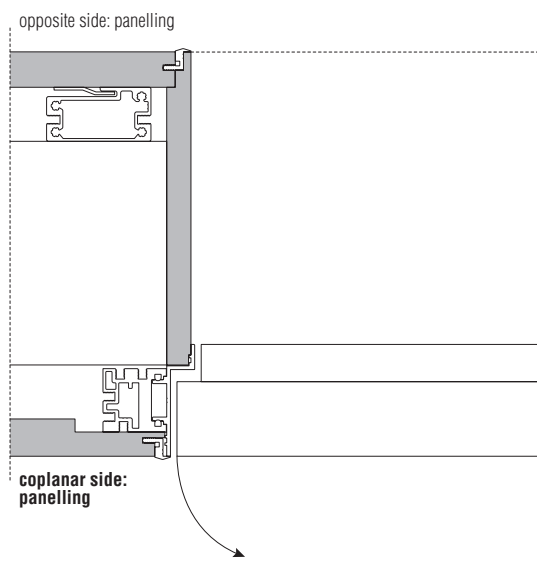
**Pull version**



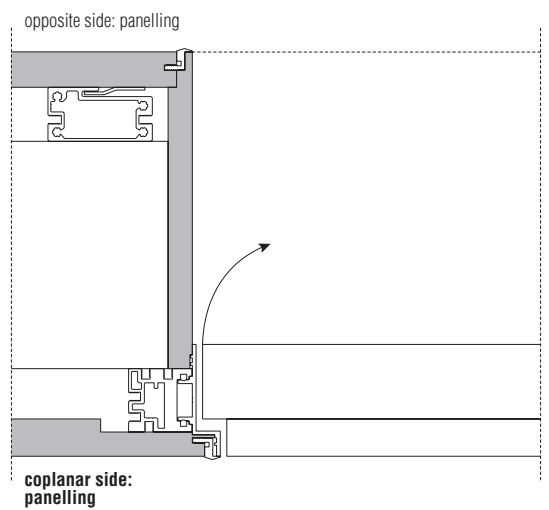
**Push version**



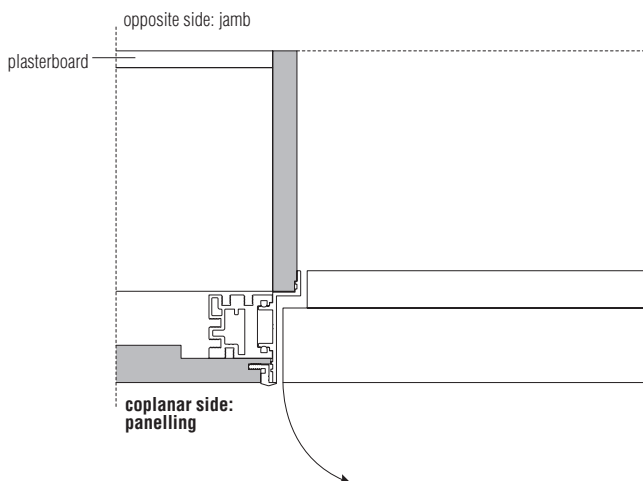
**Pull version**



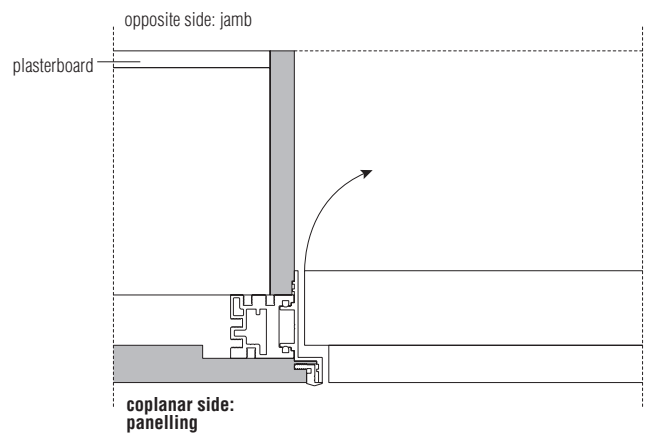
**Push version**

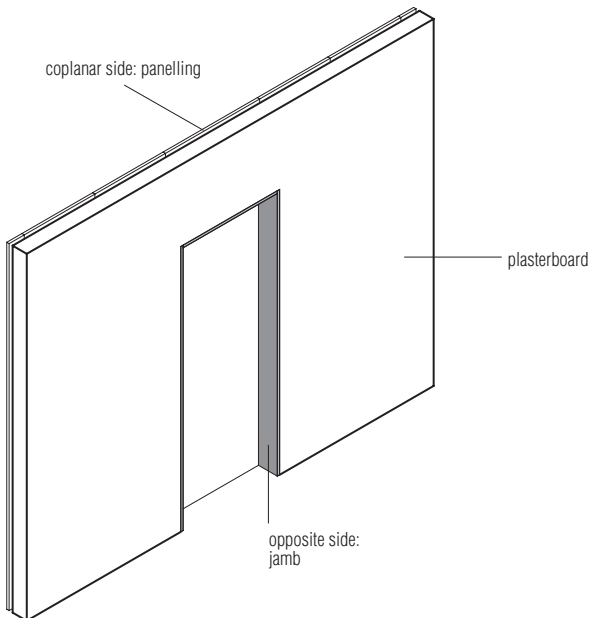
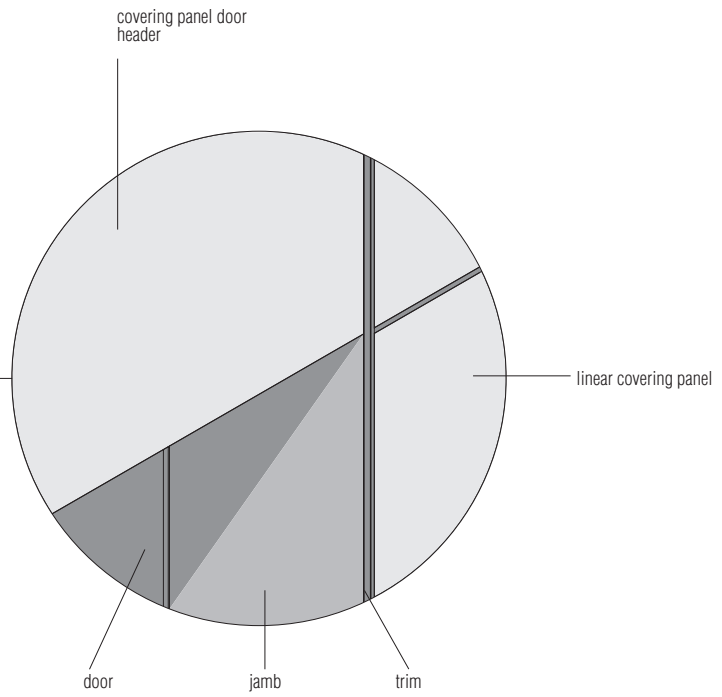
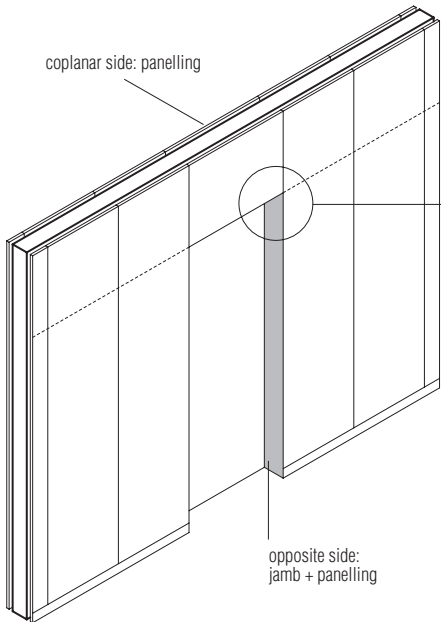
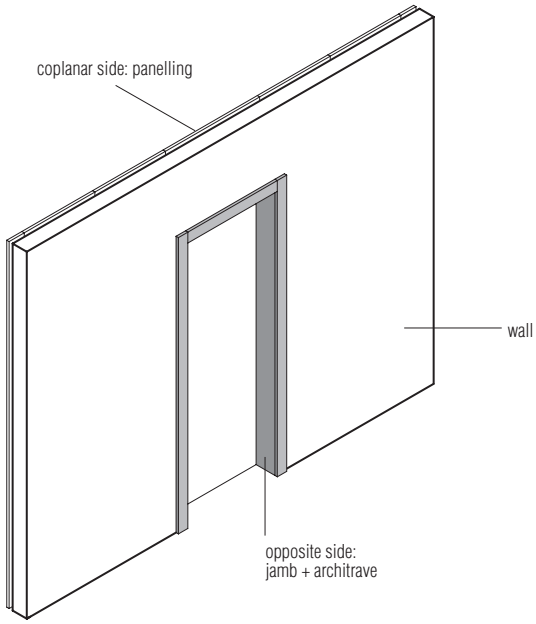


**Pull version**



**Push version**





### pair of casing profiles

for invisible and side recessed hinges

for pivot hinge



H 2100  
H 2400

from H 1800  
to H 3000



H 2100  
H 2400

from H 1800  
to H 3000

iris / pewter

**328**

**394**

### pair of jambs D max 200

standard H

H made  
to measure

### jamb crosspiece D max 200

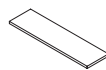
standard W

W made  
to measure



H 2100  
H 2400

from H 1800  
to H 3000



W 600  
W 700

W 800  
W 900

from W 600  
to W 1000

from W 1001  
to W 2000

matt lacquer

**296**

**374**

**78**

**84**

**87**

**135**

wood (vertical grain)

**450**

**578**

**104**

**116**

**123**

**203**

glossy lacquer

**702**

**916**

**136**

**162**

**175**

**315**

fabric

**482**

**622**

**95**

**114**

**124**

**217**

### pair of architraves W 80 mm

standard H

H made  
to measure

### architrave crosspiece H 80 mm

standard W

W made  
to measure



H 2100  
H 2400

from H 1800  
to H 3000



W 600  
W 700

W 800  
W 900

from W 600  
to W 1000

from W 1001  
to W 2000

matt lacquer

wood (vertical grain)

glossy lacquer

fabric

### Door with invisible hinges

To create a complete door consider:

- door panel
- decorative panel
- accessories page 37

### Notes

For double doors, the door without a handle must have a bolt.  
Supplementary charge € 00 each.

#### door panel th 40 mm

H 2100

H 2400

nonstandard sizes



W 600 W 700 W 800 W 900

W 600 W 700 W 800 W 900

from W 600 to W 1000  
from H 1800 to H 3000

matt lacquer	<b>875</b>	<b>935</b>	<b>998</b>	<b>1.061</b>	<b>929</b>	<b>1.001</b>	<b>1.073</b>	<b>1.142</b>	<b>1.448</b>
wood (vertical grain)	<b>1.069</b>	<b>1.157</b>	<b>1.249</b>	<b>1.340</b>	<b>1.150</b>	<b>1.254</b>	<b>1.358</b>	<b>1.460</b>	<b>1.876</b>
glossy lacquer	<b>1.353</b>	<b>1.493</b>	<b>1.636</b>	<b>1.779</b>	<b>1.476</b>	<b>1.639</b>	<b>1.802</b>	<b>1.962</b>	<b>2.588</b>
fabric	<b>1.159</b>	<b>1.231</b>	<b>1.306</b>	<b>1.381</b>	<b>1.253</b>	<b>1.339</b>	<b>1.424</b>	<b>1.507</b>	<b>1.920</b>

#### decorative panel th 20 mm

H 2100

H 2400

nonstandard sizes



W 600 W 700 W 800 W 900

W 600 W 700 W 800 W 900

from W 600 to W 1000  
from H 1800 to H 3000

matt lacquer	<b>342</b>	<b>370</b>	<b>398</b>	<b>426</b>	<b>369</b>	<b>401</b>	<b>433</b>	<b>465</b>	<b>607</b>
wood (vertical grain)	<b>534</b>	<b>591</b>	<b>648</b>	<b>705</b>	<b>588</b>	<b>653</b>	<b>718</b>	<b>783</b>	<b>1.044</b>
glossy lacquer	<b>825</b>	<b>934</b>	<b>1.043</b>	<b>1.152</b>	<b>922</b>	<b>1.046</b>	<b>1.170</b>	<b>1.294</b>	<b>1.759</b>
fabric	<b>571</b>	<b>604</b>	<b>636</b>	<b>669</b>	<b>632</b>	<b>669</b>	<b>706</b>	<b>743</b>	<b>955</b>

## Door with recessed side hinge

To create a complete door consider:

- door panel
- decorative panel
- accessories page 37

## Notes

For double doors, the door without a handle must have a bolt.  
Supplementary charge € 00 each.

### door panel th 40 mm

H 2100



W 600 W 700 W 800 W 900

H 2400



W 600 W 700 W 800 W 900

nonstandard sizes



from W 600 to W 1000  
from H 1800 to H 3000

matt lacquer	<b>1.336</b>	<b>1.399</b>	<b>1.462</b>	<b>1.527</b>	<b>1.717</b>	<b>1.789</b>	<b>1.860</b>	<b>1.929</b>	<b>2.236</b>
wood (vertical grain)	<b>1.530</b>	<b>1.621</b>	<b>1.713</b>	<b>1.806</b>	<b>1.937</b>	<b>2.041</b>	<b>2.146</b>	<b>2.247</b>	<b>2.663</b>
glossy lacquer	<b>1.814</b>	<b>1.957</b>	<b>2.100</b>	<b>2.245</b>	<b>2.263</b>	<b>2.426</b>	<b>2.589</b>	<b>2.750</b>	<b>3.375</b>
fabric	<b>1.620</b>	<b>1.695</b>	<b>1.770</b>	<b>1.847</b>	<b>2.040</b>	<b>2.126</b>	<b>2.211</b>	<b>2.294</b>	<b>2.707</b>

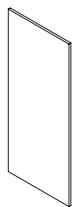
### decorative panel th 20 mm

H 2100



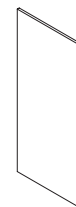
W 600 W 700 W 800 W 900

H 2400



W 600 W 700 W 800 W 900

nonstandard sizes



from W 600 to W 1000  
from H 1800 to H 3000

matt lacquer	<b>342</b>	<b>370</b>	<b>398</b>	<b>426</b>	<b>369</b>	<b>401</b>	<b>433</b>	<b>465</b>	<b>607</b>
wood (vertical grain)	<b>534</b>	<b>591</b>	<b>648</b>	<b>705</b>	<b>588</b>	<b>653</b>	<b>718</b>	<b>783</b>	<b>1.044</b>
glossy lacquer	<b>825</b>	<b>934</b>	<b>1.043</b>	<b>1.152</b>	<b>922</b>	<b>1.046</b>	<b>1.170</b>	<b>1.294</b>	<b>1.759</b>
fabric	<b>571</b>	<b>604</b>	<b>636</b>	<b>669</b>	<b>632</b>	<b>669</b>	<b>706</b>	<b>743</b>	<b>955</b>

### Pivot door

To create a complete door consider:

- door panel
- decorative panel
- accessories page 37

### Notes

For double doors, the door without a handle must have a bolt.  
Supplementary charge € 00 each.

### door panel th 40 mm

H 2100



W 600 W 700 W 800 W 900

H 2400



W 600 W 700 W 800 W 900

nonstandard sizes



from W 600 to W 1000  
from H 1800 to H 3000

matt lacquer	<b>3.462</b>	<b>3.525</b>	<b>3.588</b>	<b>3.653</b>	<b>3.519</b>	<b>3.591</b>	<b>3.663</b>	<b>3.732</b>	<b>4.038</b>
wood (vertical grain)	<b>3.656</b>	<b>3.747</b>	<b>3.839</b>	<b>3.932</b>	<b>3.740</b>	<b>3.844</b>	<b>3.948</b>	<b>4.050</b>	<b>4.466</b>
glossy lacquer	<b>3.940</b>	<b>4.083</b>	<b>4.226</b>	<b>4.371</b>	<b>4.066</b>	<b>4.229</b>	<b>4.392</b>	<b>4.552</b>	<b>5.178</b>
fabric	<b>3.746</b>	<b>3.821</b>	<b>3.896</b>	<b>3.973</b>	<b>3.843</b>	<b>3.929</b>	<b>4.014</b>	<b>4.097</b>	<b>4.510</b>

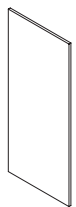
### decorative panel th 20 mm

H 2100



W 600 W 700 W 800 W 900

H 2400



W 600 W 700 W 800 W 900

nonstandard sizes



from W 600 to W 1000  
from H 1800 to H 3000

matt lacquer	<b>342</b>	<b>370</b>	<b>398</b>	<b>426</b>	<b>369</b>	<b>401</b>	<b>433</b>	<b>465</b>	<b>607</b>
wood (vertical grain)	<b>534</b>	<b>591</b>	<b>648</b>	<b>705</b>	<b>588</b>	<b>653</b>	<b>718</b>	<b>783</b>	<b>1.044</b>
glossy lacquer	<b>825</b>	<b>934</b>	<b>1.043</b>	<b>1.152</b>	<b>922</b>	<b>1.046</b>	<b>1.170</b>	<b>1.294</b>	<b>1.759</b>
fabric	<b>571</b>	<b>604</b>	<b>636</b>	<b>669</b>	<b>632</b>	<b>669</b>	<b>706</b>	<b>743</b>	<b>955</b>

## Door header

Panels th 40 and 20 mm must be matched according to the door finish (door panel + decorative panel)

### door header th 40 mm H max 1200

panel th 40 mm  
standard W

panel th 40 mm  
custom W



W 600  
W 700      W 800  
W 900



from W 600  
to W 1000      from W 1200  
to W 2000

matt lacquer	<b>385</b>	<b>458</b>	<b>528</b>	<b>885</b>
wood (vertical grain)	<b>516</b>	<b>622</b>	<b>709</b>	<b>1.232</b>
glossy lacquer	<b>704</b>	<b>868</b>	<b>984</b>	<b>1.796</b>
fabric	<b>556</b>	<b>643</b>	<b>720</b>	<b>1.224</b>

### door header th 20 mm H max 1200

panel th 20 mm  
standard W

panel th 20 mm  
custom W



W 600  
W 700      W 800  
W 900



from W 600  
to W 1000      from W 1200  
to W 2000

matt lacquer	<b>219</b>	<b>252</b>	<b>277</b>	<b>481</b>
wood (vertical grain)	<b>348</b>	<b>415</b>	<b>457</b>	<b>830</b>
glossy lacquer	<b>541</b>	<b>667</b>	<b>737</b>	<b>1.402</b>
fabric	<b>355</b>	<b>394</b>	<b>413</b>	<b>729</b>

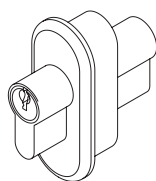


**Door accessories**

**closure**

**cylinder with lock**

**latch with free/occupied lock**



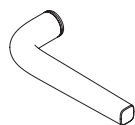
**120**

**handles**

**Supercerchio handle  
iris / pewter  
(pair)**

**Superquadro handle  
(pair)**

**customer handle preparation**  
cost for custom processing subject to  
verification by the Molteni&C Technical  
Office



insert  
iris / pewter

wood  
insert

iris / pewter

**150??**

**50**

**door pull**  
for heights greater than 2100 mm  
(optional)

**100**

# FINISHES

MATT LACQUER / GLOSSY LACQUER

WHITE	BURGUNDY	IRIS
CHALK WHITE	MOKA	CAPPUCCINO
ALMOND WHITE	MUSTARD	
PEARL	SPICE	
SILICA	LIGHT GREY	
SAND	STARDUST	
DOVE GREY	MOONLIGHT	
PLATINUM	LIGHT BLUE GREY	
LONDON SKY	PETROLEUM BLUE	
DUNE	LEAD	
CLAY	PEWTER COLOUR	
DOLOMITE GREY	ANTHRACITE	
COPPER	PINE GREEN	
RUBY	BLACK	

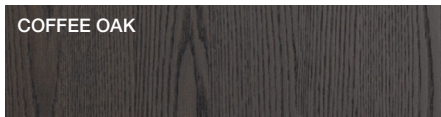
**WOOD**

(ALWAYS WITH VERTICAL GRAIN)

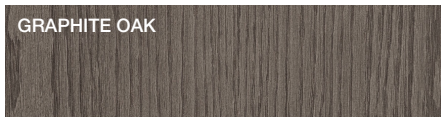
SUNRISE OAK



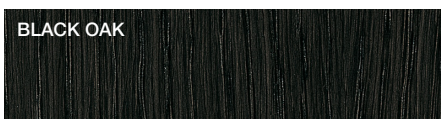
COFFEE OAK



GRAPHITE OAK

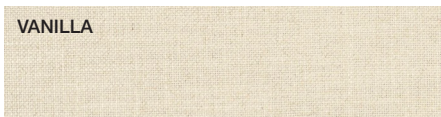


BLACK OAK



**BLEND FABRIC**

VANILLA



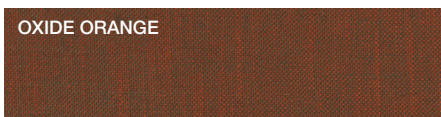
MOSS GREEN



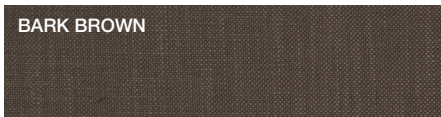
OLIVE GREEN



OXIDE ORANGE



BARK BROWN



**METAL PARTS**

HORIZONTAL / VERTICAL FINISHING PROFILES

PEWTER COLOUR



IRIS







**ARIAL**  
**APRIL 2024**